



## 产品规格承认书 SPECIFICATION

文件编号 File No.: UME-EG-SP17040502/A1

客户 Customer	AKON	核准 Approval	
品名 Product	开关电源 Switching power supply	品管确认 QC	
型号 Model	AD-A150P240	审核 Check	
日期 Date	2017-04-05	拟制 Execution	LMY

客户承认意见 Confirmation by Customer	客户签署 Stamp & Signature
<input type="checkbox"/> 合格 <input type="checkbox"/> 不合格 <input type="checkbox"/> 条件合格 <b>Accept      Reject      Conditional Acceptance</b>	

确认签署后，请回传一份。有任何问题，请尽快告知我们。

Please return one copy to us with your signature and feel free to contact us for any questions.

厦门友盟电子有限公司

XIAMEN UME ELECTRONICS CO., LTD.

电话 Tel:0592-2611448

传真 Fax:0592-5755330

地址:厦门湖里区殿前一路536号

Add:NO. 536 Dianqian YiLu, Huli District, Xiamen.



产品规格承认书 SPECIFICATION				文件编号 File No.	UME-EG-SP17040502/A1
品名 Product	开关电源 SPS	型号 Model	AD-A150P240	日期 Date	2017-04-05

目录 INDEX

1	变更履历 Revision History.....	1-3
2	概述 Summary .....	2-4
3	技术要求 Technical requirements.....	3-4
3.1	安全标准 Safety Standards .....	3-4
3.2	Input .....	3-4
3.3	Output.....	3-5
3.4	Regulation:.....	3-5
3.5	可靠性及质量控制 Reliability and Quality Control.....	3-5
3.6	测试线路图 Test Circuit.....	3-10
4	线路图 Schematic Diagram .....	4-10
5	电路板图 P.C.B.....	5-11
6	CORD 图.....	6-12
7	AC CORD.....	7-13
8	外观示意图 Mechanical Drawing .....	8-14
9	铭板标识 Label .....	9-15
10	包装方式 Packaging .....	10-15
11	材料清单 BOM.....	11-16

**\* The products limited warranty period is 18 months.  
(From date code of product.)**

**● The products meet RoHS requirements.**

批准 Approval:	<i>JB</i>	审核 Check:	<i>ZengL</i>	制表 Execution:	<i>LMY</i>
--------------	-----------	-----------	--------------	---------------	------------



产品规格承认书 SPECIFICATION				文件编号 File No.	UME-EG-SP17040502/A1
品名 Product	开关电源 SPS	型号 Model	AD-A150P240	日期 Date	2017-04-05

1 变更履历 Revision History

版本 REV	变更日期 Date	变更内容 Content of Change	制表 Execution	审核 Check	批准 Approval
V1.0	2017-04-05	1.First Issue	LMY	ZengL	JB

批准 Approval:	JB	审核 Check:	ZengL	制表 Execution:	LMY
--------------	----	-----------	-------	---------------	-----



<b>产品规格承认书</b> <b>SPECIFICATION</b>				文件编号 File No.	UME-EG-SP17040502/A1
品名 Product	开关电源 SPS	型号 Model	AD-A150P240	日期 Date	2017-04-05

**2 概述 Summary**

2.1 本文件包含一般的客户要求及电气、机构和安全性能等方面的描述。

This document contains general customer requirements and those of specific electrical, mechanical and safety for this product.

2.2 Name division table

MODEL NO.	DESIGN No.	PLUG
AD-A150P240	SW-150240A	2.5*5.5*9.5

**3 技术要求 Technical requirements**

3.1 安全标准 Safety Standards

PSE: 電安法省令第一項

3.2 Input

Rated Input Voltage	100-240Vac
Operating Range	90-264Vac
Rated Input Frequency	50~60Hz +/-10%
Input Frequency Range	45~66Hz
Rated Input Current	0.8A
Maximum Input Power	45W
Input Power (No Load)	0.3W Max@Ip:100Vac; 0.3W Max@Ip:240Vac
Primary Current Protection	Current fuse
AC Blade	PSE type AC Blade
AC Cable	<PS>E 2*0.75mm <sup>2</sup> VCTFK L = 1800mm, Black, Lead-free soldering

批准 Approval:	<i>JB</i>	审核 Check:	<i>ZengL</i>	制表 Execution:	<i>LMY</i>
--------------	-----------	-----------	--------------	---------------	------------



<b>产品规格承认书</b> <b>SPECIFICATION</b>				文件编号 File No.	UME-EG-SP17040502/A1
品名 Product	开关电源 SPS	型号 Model	AD-A150P240	日期 Date	2017-04-05

**3.3 Output**

Rated Dc Output Voltage	15V±5%
Rated Load Current	2400mA
Over Voltage Protection	17V Max @Vin=100Vac/240Vac
Over Current Protection	2.8A Min @Vin=100Vac/240Vac
Line Regulation	The line regulation is less than ±2% while measuring at rated load and +/-5% of input voltage changing.
Ripple	≦ 150mVp-p
Switching Efficiency	87.4% minimum@ input 115AC/230VAC, can meet Level V standard.
DC Plug	Φ2.5*5.5*9.5
DC Cord	20AWG UL2464 L = 1500mm, Black Lead-free soldering

**3.4 Regulation:**

IEEE1725 (IEEE Standard for Rechargeable Batteries for Cellular Telephones)  
ENERGY STAR / California Appliance Efficiency Program (for US) : Level V  
Australian and New Zealand Energy Performance Requirements (for NZ) : Level V  
Proposition 65 (Safe Drinking Water and Toxic Enforcement Act of 1986)

**3.5 可靠性及质量控制 Reliability and Quality Control**

**【Electrical Test Items】**

Item	Conditions	Criteria
1 Leakage Current	Measure the leakage current between Primary and Secondary when adding rated input. AC input = Rating voltage (100/240V)	Less than 250μA
2 ESD Test	1.Test is conducted at room temperature/humidity.(25°C, RH 50-60%) 2.Test set is 150pF/150Ω. 3.(1)±4KV:Contact discharge test. +phase: 3times, -phase: 3times, total: 6times. (2)±8KV:Air discharge test. +phase : 3times, -phase: 3times, total: 6times. (Note) After each ESD test, it should be discharged.	No malfunction (must be in spec after test).
	1.Test is conducted at room temperature/humidity.(25°C, RH 50-60%)	No destruction

批准 Approval:	<i>JB</i>	审核 Check:	<i>ZengL</i>	制表 Execution:	<i>LMY</i>
--------------	-----------	-----------	--------------	---------------	------------



<b>产品规格承认书</b> <b>SPECIFICATION</b>				文件编号 File No.	UME-EG-SP17040502/A1
品名 Product	开关电源 SPS	型号 Model	AD-A150P240	日期 Date	2017-04-05

		2.Test set is 150pF/150Ω. 3.(1)±6KV:Contact discharge test. + phase: 3times, - phase: 3times total: 6times. (2)±10KV:Air discharge test. + phase: 3times, - phase: 3times, total: 6times. (Note)After each ESD test, it should be discharged.	
	ESD Test (Ability test)	1.Test is conducted at room temperature/humidity.(25°C, RH 50-60%) 2.Test condition: 150pF/150Ω. 3,Contact discharge / Air discharge 4,Load: 1)no load 2)rated load 5. Impressing 10 times continuously to plus and minus each. 6,Discharging once after impressing 10 times (To confirm the capacity of unit up to the unit destroyed)	It confirms at which voltage value the adapter breaks.(Note: Not part of qualification)
3	Electric strength	Condition=AC3000V, 1min. Test place=Between AC blade and DC plug Sensitivity current=10mA	No malfunction. (damage, arc, breakdown etc)
4	Insulation resistance	DC500V, 1min. Between AC blade and DC plug	More than 100MΩ
5	Temperature Rise Test	1.Apply rating input voltage(100/240V), 2.Load: Charge actual Cellular phone 3.Measure the surface temperature of the adaptor 4.T ambient = The room temperature 5.Condition: Until it carries out temperature saturation (the definition of temperature than 1°C in 1 hour).	Housing surface Temperature rise is less than 40K.
		1.Apply rating input voltage(100/240V), 2.No Load 3.Measure the surface temperature of the adaptor	Housing surface Temperature rise is less than 15K.
6	Input over / under	Apply voltage=(rating input voltage)x(1±30%) Impressed time : 24h	No destruction
7	EMI/Conducted Emission	Telephone stand by mode with rapid-charge condition	Conform to: FCC 47CFR Part 15 Class B (for US) EN55022

**【Environmental Test Items】**

Item	Conditions	Criteria
1	Temperature range Electrical performance guarantees temperature range: 0°C to 40°C、 Electrical performance not guarantees working temperature range: -20°C to 50°C Storage temperature range: -30°C to 80°C	No abnormal appearance, mechanic performance or electric performance

批准 Approval:	<i>JB</i>	审核 Check:	<i>ZengL</i>	制表 Execution:	<i>LMY</i>
--------------	-----------	-----------	--------------	---------------	------------



<b>产品规格承认书</b> <b>SPECIFICATION</b>				文件编号 File No.	UME-EG-SP17040502/A1
品名 Product	开关电源 SPS	型号 Model	AD-A150P240	日期 Date	2017-04-05

2	High Temperature Leave	1. Temperature 80°C for 96 hours. 2. After that test, test set is left in normal temperature, humidity condition for more than 1hour, then evaluate.	No abnormal appearance, mechanic performance or electric performance
3	Low Temperature Leave	1. Temperature -30°C for 96 hours. 2. After that test, test set is left in normal temperature, humidity condition more than 1(hour), then evaluate.	
4	High Temperature Humidity	1. Temperature 50°C, air moisture 90-95% RH for 96 hours. 2. After that test, test set is left in normal temperature, humidity condition more than 30min, then evaluate.	
5	Temperature Humidity test	1. Temperature 40°C, air moisture 90-95% RH for 96 hours. 2. After that test, test set is left in normal temperature, humidity condition more than 30min, then evaluate.	
6	Heat Shock Test	1. Condition: -30°C/ 1 hour to +80°C/ 1 hour, 60 cycles 2. After that test, test set is left in normal temperature, humidity condition more than 1 hour, then evaluate.	
7	Heat/humidity Cycle Test	A, C, D : RH=90 ± 10% B : RH= 90 ± 5% E : No limit After 5cycles, put EUT at room temperature/humidity condition	

**【Mechanical Test Items】**

Item	Conditions	Criteria
1	Drop Test	Height of drop: 1m, 2times/each surface (total 12 times), Floor: concrete.
2	Package Drop Test	1. Packaged condition. 2. Drop test points (1) 1 corner (2) 2 edges (3) 4 surfaces, Total: 7times drop test. 3. Height of drop:50cm. Bottom surface drop test only apply 65cm.
		No parts remove, no abnormal mechanic performance, (outside scratches are acceptable)

批准 Approval:	JB	审核 Check:	ZengL	制表 Execution:	LMY
--------------	----	-----------	-------	---------------	-----



<b>产品规格承认书</b> <b>SPECIFICATION</b>				文件编号 File No.	UME-EG-SP17040502/A1
品名 Product	开关电源 SPS	型号 Model	AD-A150P240	日期 Date	2017-04-05

3	Unit Vibration Test	1. Vibration condition:33.3Hz/min. 20.6m/s <sup>2</sup> 2. (1)Top/Bottom direction:4-hours (2)Right/Left direction:2-hours (3) Front/Back direction:2-hours	
4	Package Vibration	1.Vibration condition: 5-55-5Hz/2min. (1)Top/Bottom direction : 12.5(m/S <sup>2</sup> )30(min) (2) Right/left direction : 7.5(m/S <sup>2</sup> )15(min)*2	
5	AC Plug in/out Test (AC Blade part)	1. AC Plug in/out test more than 2000times 2.10(times/min). 1 time is in/out action.	
6	Exfoliate with cellophane tape and examine it	Use Nichiban 18mm or 24mm width	A character do not disappear.
7	Alcohol Examination-resistant	Weight : 500g Test cycles=100times	
8	The reliability to face each other to come off the label	① - 40°C ② 80°C ③ 50°C 90% Each 96 hours ④ ③ After, it is a thermal shock examination of 96 cycles	Don't take the label off the main body
9	No tally part step	Difference of the pitch by height differences of the tally part between casts	less than 0.25mm after an environmental examination
10	Appearance fault	Mode Bali short a bullet hole / a scratch / a sunspot / a white dot / an alien substance / a stain / a mustache / Weld flow mark gate trace / a crack / whitening	A few thing: It determines a limit if necessary. A reference standard: The deep wound 0.2mm <sup>2</sup> following, the shallow wound 0.3mm <sup>2</sup> following
11	Option carton packing	There is "Railway assurance mark" ① - 40°C②80°C③50°C 90%, each 96Hr ④③ After, it is thermal shock examination -20°C←→ 50°C 96 cycles float screens few thing	No abnormal appearance, mechanic performance or electric performance

**【DC cord Test Items】**

Item	Conditions	Criteria
1 DC Cord strength (adaptor side / plug side)	1. Test part : Between adaptor and DC cord 2. Pull a cord with 98N(10Kgf) force 3. Time: 1min.	No abnormality such as wire cut, bushing come off

批准 Approval:	<i>JB</i>	审核 Check:	<i>ZengL</i>	制表 Execution:	<i>LMY</i>
--------------	-----------	-----------	--------------	---------------	------------





<b>产品规格承认书</b> <b>SPECIFICATION</b>				文件编号 File No.	UME-EG-SP17040502/A1
品名 Product	开关电源 SPS	型号 Model	AD-A150P240	日期 Date	2017-04-05

2	DC Cord Bending Test (adaptor side / plug side)	Weight = 4.9N(500g) Angle = +/-90° Cycles in every minute = 40times/min. Test cycles = 1000times Note: 1 cycle = swing to the opposite direction and return to the original one.	Operate properly.
3	PLUG PULLING TEST1:	Apply a 29.4N (3kgf) static load on the strain relief of the plug device at 5-direction (Upper, lower, right, left, and push) for each 1 minute, The solder must not peel off from PCB, mechanical and electric characteristic shall be normal.	No abnormality such as cord cut, bushing comes off.

**【Safety Test Items】**

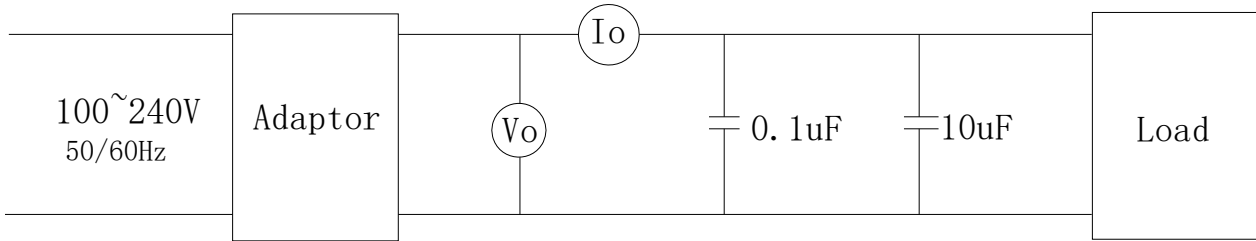
1	MTBF	Make a measurement condition, a calculation standard clear	More than 50,000 hours
2	Part materials	It is maintenance or the incombustibility of contact / part materials approaching it in an outer fence, the charge department of the electric part	same as UL94V-0; more than it
3	print board	Incombustibility	same as UL94V-0; more than it
4	Solder debris	We regulate solder debris less than 0.4mm 1. Soldering debris between 0.1mm shall be removed if at all possible. 2. Soldering debris between 0.1 to less than 0.4 mm, in case some soldering debris/wasters are in 5cm <sup>2</sup> area. We total up their size and total less than 0.4mm shall be regarded as regulation.	
5	No tally part step	Difference of the pitch by height differences of the tally part between casts	less than 0.25mm after an environmental examination
6	Appearance fault	Mode Bali short a bullet hole / a scratch / a sunspot / a white dot / an alien substance / a stain / a mustache / Weld flow mark gate trace / a crack / whitening	A few thing: It determines a limit if necessary. A reference standard : The deep wound 0.2mm <sup>2</sup> following, the shallow wound 0.3mm <sup>2</sup> following.

批准 Approval:	<i>JB</i>	审核 Check:	<i>ZengL</i>	制表 Execution:	<i>LMY</i>
--------------	-----------	-----------	--------------	---------------	------------

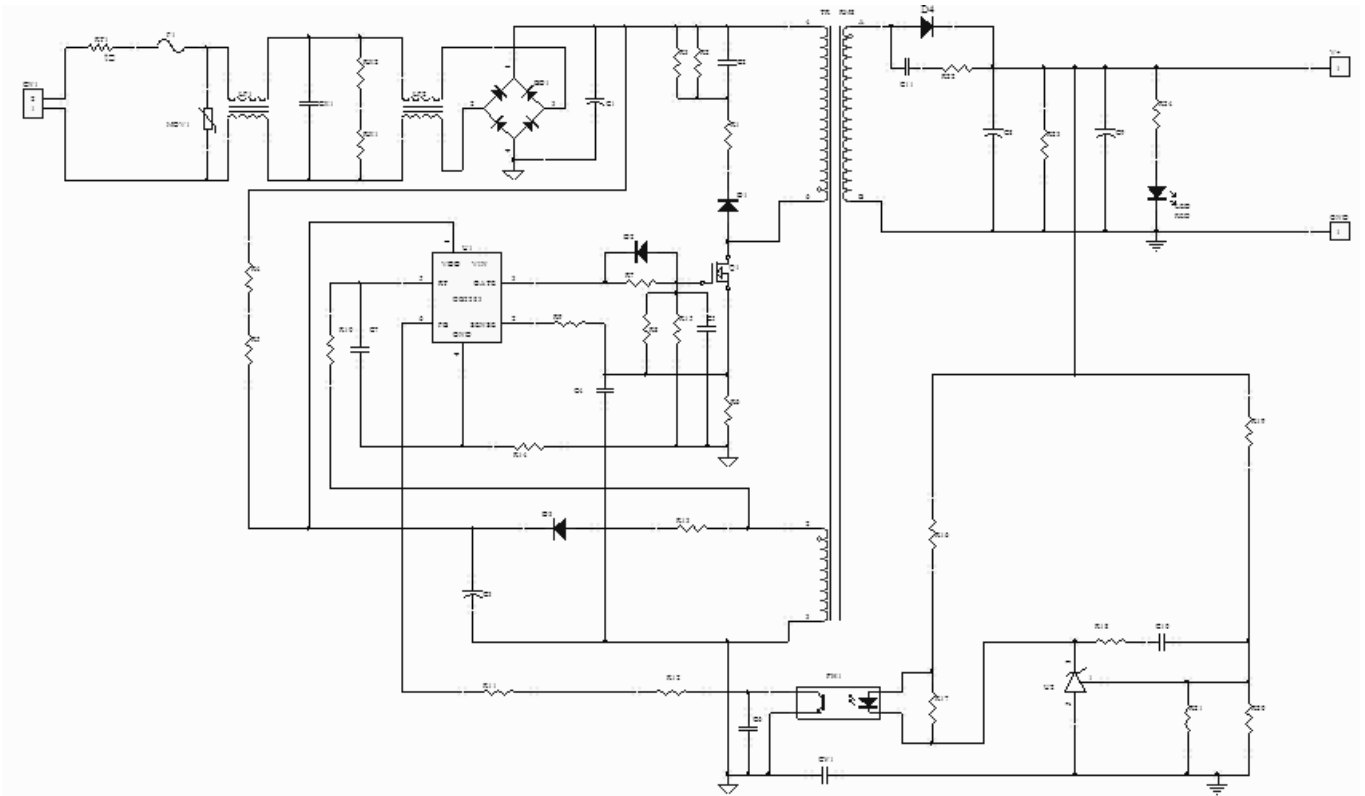


产品规格承认书 SPECIFICATION				文件编号 File No.	UME-EG-SP17040502/A1
品名 Product	开关电源 SPS	型号 Model	AD-A150P240	日期 Date	2017-04-05

3.6 测试线路图 Test Circuit



4 线路图 Schematic Diagram

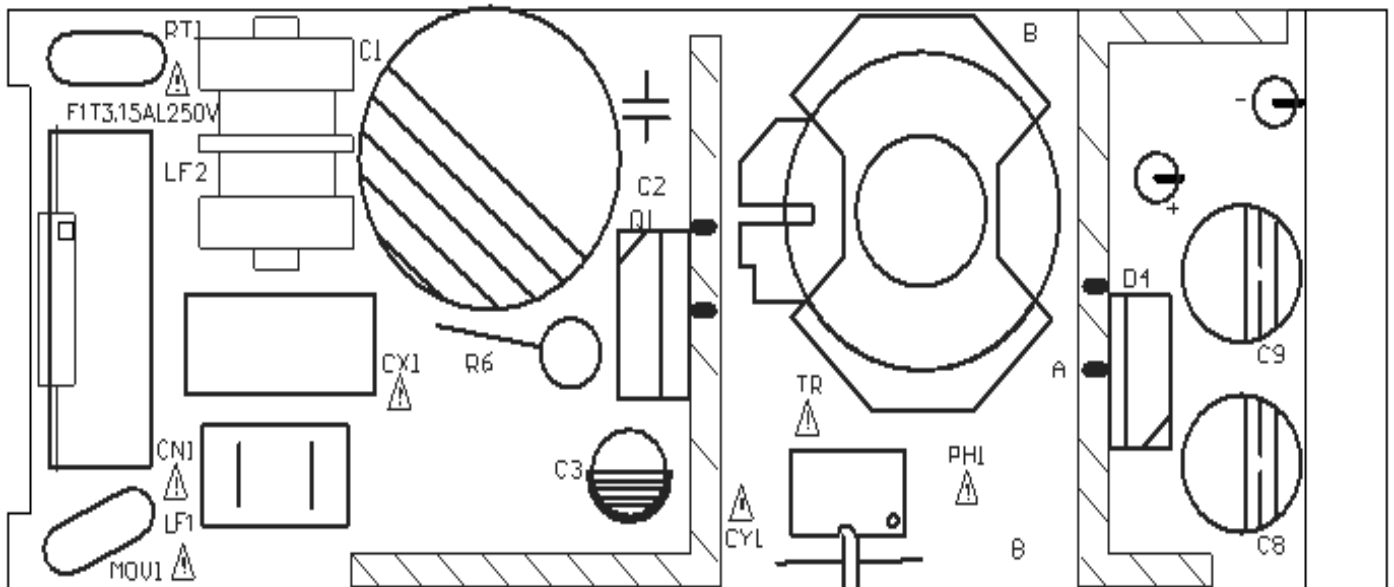
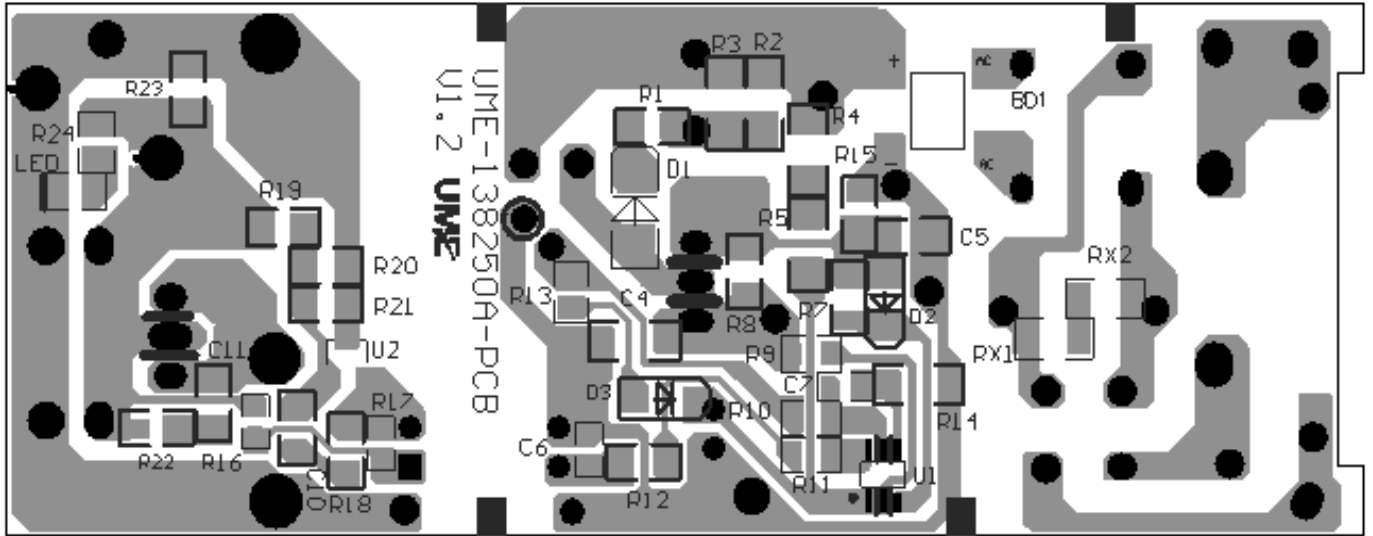


批准 Approval:	JB	审核 Check:	ZengL	制表 Execution:	LMY
--------------	----	-----------	-------	---------------	-----



产品规格承认书 SPECIFICATION				文件编号 File No.	UME-EG-SP17040502/A1
品名 Product	开关电源 SPS	型号 Model	AD-A150P240	日期 Date	2017-04-05

5 电路板图 P.C.B

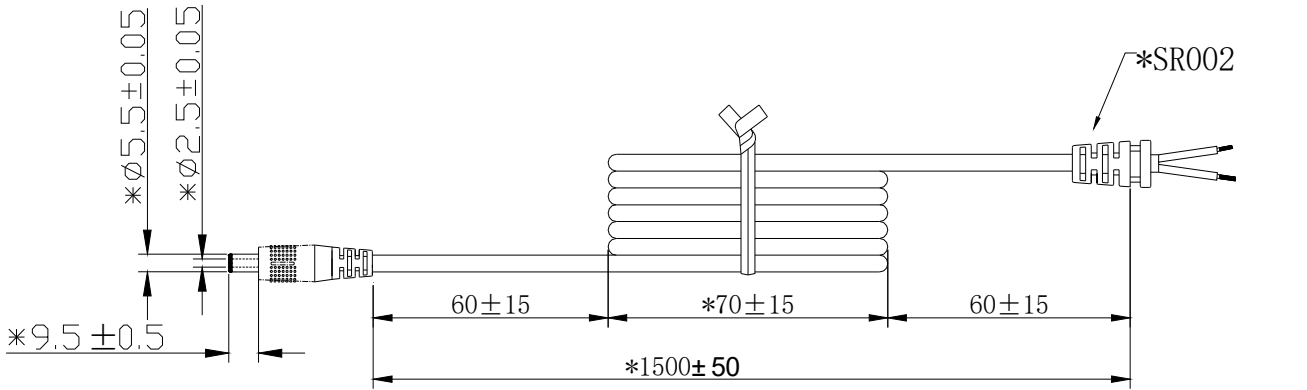


批准 Approval:	<i>JB</i>	审核 Check:	<i>ZengL</i>	制表 Execution:	<i>LMY</i>
--------------	-----------	-----------	--------------	---------------	------------



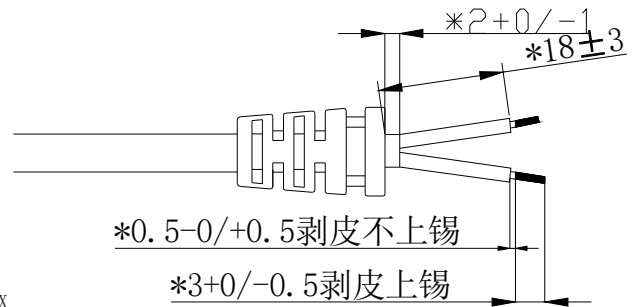
<b>产品规格承认书</b> <b>SPECIFICATION</b>			文件编号 File No.	UME-EG-SP17040502/A1	
品名 Product	开关电源 SPS	型号 Model	AD-A150P240	日期 Date	2017-04-05

## 6 CORD 图 (单位 unit: mm 颜色 color: Black)



备注:

1. 导线规格: 20AWG 2464 音叉型 黑色, 芯线颜色: 红色+黑色, 导线总长 1500mm; 材质符合RoHS要求。导线按图示尺寸捆扎、测试, 导线间应开路, 对应线头线尾应短路导通, 极性连接正确;
2. 两头剥线焊锡, 剥线长度 $3\text{mm}+1/-0$ 。剥线要求如图所示, 剥丝线焊锡的直径为 $1.15\text{mm MAX}$ 。接线方式: 红色芯线接PIN中心, 黑色芯线接外侧, PG头成型, SR-002成型; SR002尺寸为 $6.8*7.8\text{mm}$ 。
3. SR拉力测试: 吊重 $1\text{Kg}/10$ 分钟, 不可有位移, 吊重 $5\text{Kg}/1$ 分钟, 位移 $2\text{mm MAX}$
4. 插拔力测试: 插入力 $2\text{Kg MAX}$ , 拔出力 $0.3\text{Kg MIN}$ ; 插拔 $6000\text{MIN}$ 次不允许有电气和机械性能的损坏, 且满足拔出力 $0.1\text{Kg MIN}$ ;
5. 摇摆测试: 吊重 $500\text{g}$ , 以 $40$ 次/分作 $90^\circ$ 往返, 每一往返为一次, 至少 $1000$ 次;
6. PLUG绝缘阻抗测试:  $100\text{M}\Omega \text{ MIN}$ 在 $500\text{DC}/\text{分}$ ; PLUG接触阻抗测试:  $100\text{m}\Omega \text{ MAX}$ ;
7. 导线, SR, PLUG非移行性依据厂内一般进行; 禁止使用VDE所禁用的物质。
8. 打\*号尺寸, 为入料检查项目;

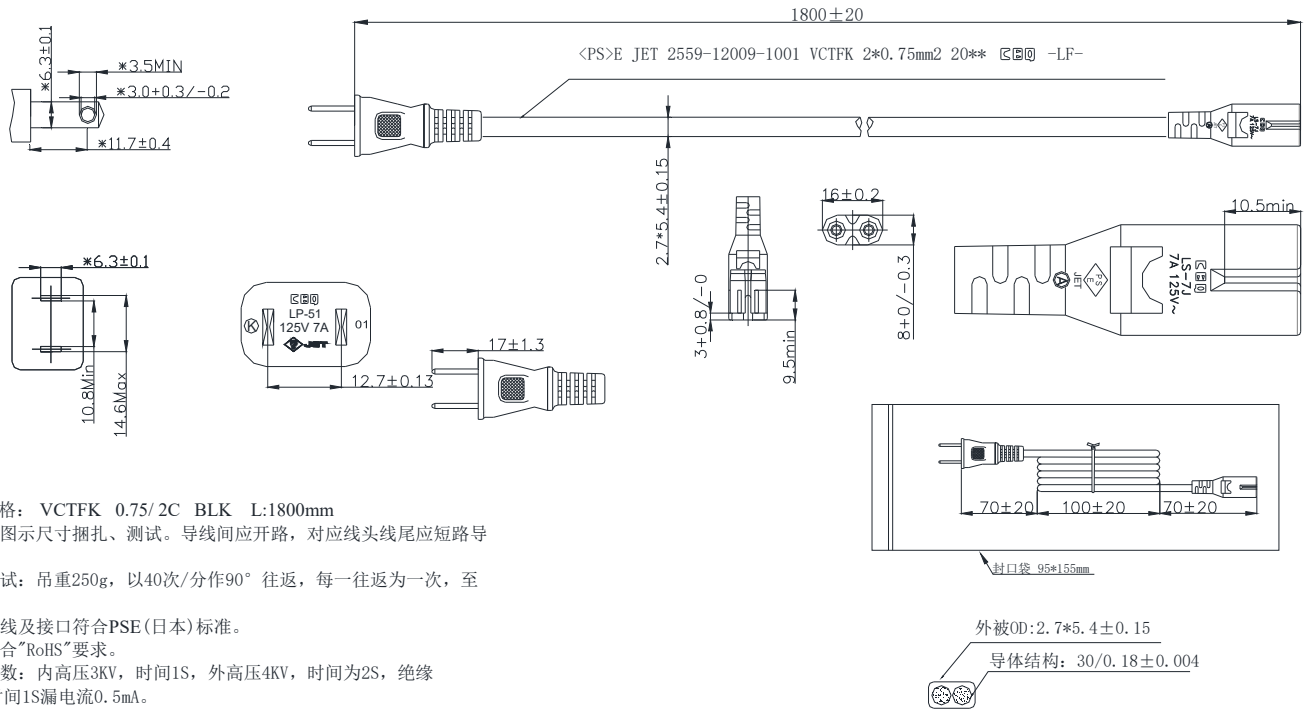


批准 Approval:	JB	审核 Check:	ZengL	制表 Execution:	LMY
--------------	----	-----------	-------	---------------	-----



<b>产品规格承认书</b> <b>SPECIFICATION</b>				文件编号 File No.	UME-EG-SP17040502/A1
品名 Product	开关电源 SPS	型号 Model	AD-A150P240	日期 Date	2017-04-05

## 7 AC CORD 图



备注:

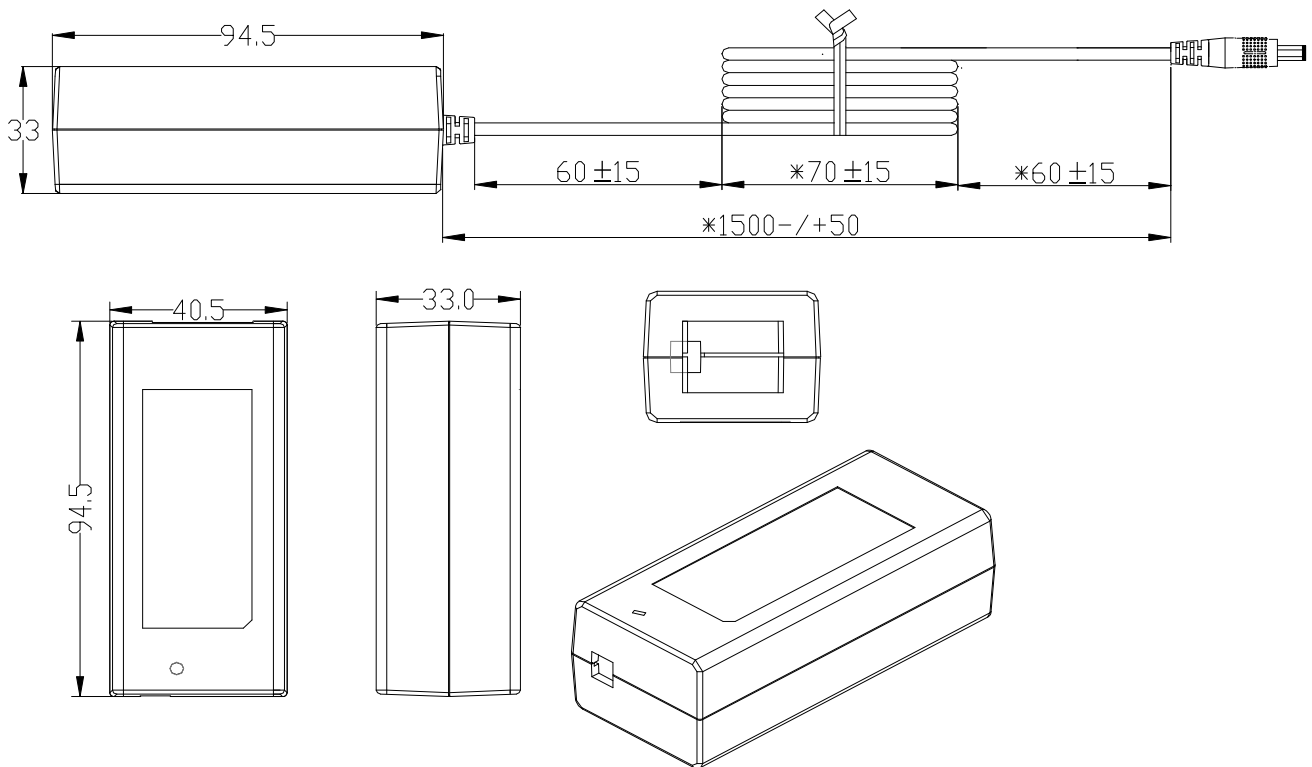
- 1、线材规格: VCTFK 0.75/2C BLK L:1800mm
- 2、导线按图示尺寸捆扎、测试。导线间应开路,对应线头线尾应短路导通。
- 3、摇摆测试: 吊重250g,以40次/分作90°往返,每一往返为一次,至少1000次。
- 4、插头、线及接口符合PSE(日本)标准。
- 5、材质符合“RoHS”要求。
- 6、测试参数: 内高压3KV,时间1S,外高压4KV,时间为2S,绝缘5MΩmin,时间1S漏电流0.5mA。
- 7、头部: LP-51 尾部: LS-7J

批准 Approval:	JB	审核 Check:	ZengL	制表 Execution:	LMY
--------------	----	-----------	-------	---------------	-----



产品规格承认书 SPECIFICATION				文件编号 File No.	UME-EG-SP17040502/A1
品名 Product	开关电源 SPS	型号 Model	AD-A150P240	日期 Date	2017-04-05

8 外观示意图 Cord and Mechanical Drawing ( 单位 unit : mm 颜色 color : Black )

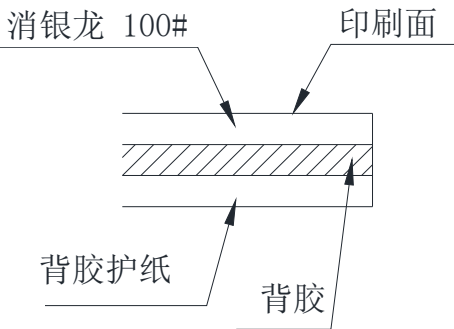


批准 Approval:	JB	审核 Check:	ZengL	制表 Execution:	LMY
--------------	----	-----------	-------	---------------	-----



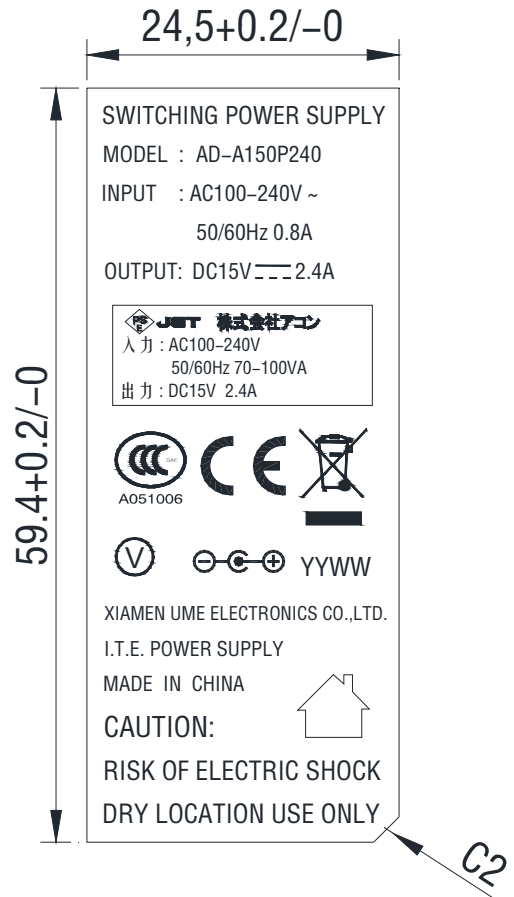
<b>产品规格承认书</b> <b>SPECIFICATION</b>				文件编号 File No.	UME-EG-SP17040502/A1
品名 Product	开关电源 SPS	型号 Model	AD-A150P240	日期 Date	2017-04-05

### 8 铭板标识 Label

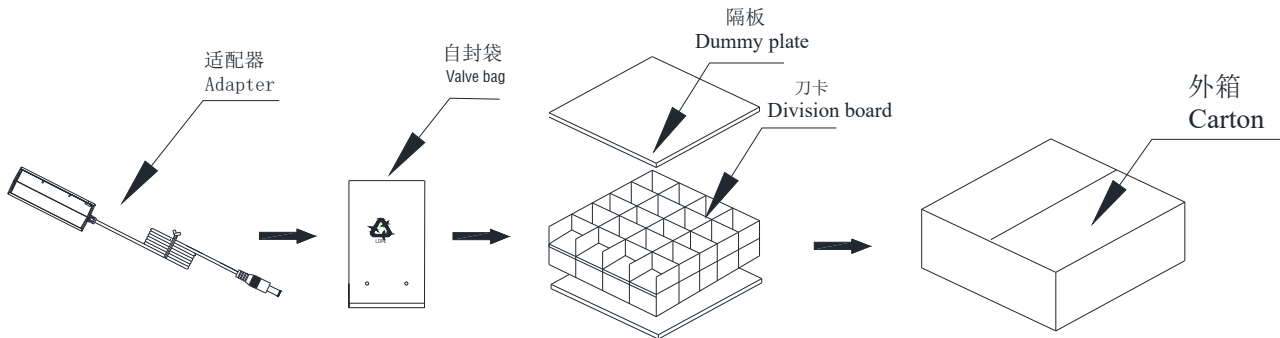


备注:

1. 材质: 消银龙 100#(铭板基材厚度0.1mm, 材质PET)。
2. 黑底银字, 亚膜, 印刷参照ARTWORK, 印刷位置居中。
3. 背胶: 高冠DT#。
4. 密着性: 将铭板贴于实际CASE上, 在-40° C下放置48小时, 再放入75° C, 90%RH下放置48小时后, 于常温常湿下放1小时, 在铭板长度方向上贴上强力胶带(3M NO. 610 18mm宽或等价物), 以垂直方向急速拉起, 铭板不能有起泡或脱落。
5. 粘着力: 依据铭板检验标准测试。
6. YY表示年份, WW表示周期, 年周依订单要求或实际生产日而定。
7. 字体清晰可读, 布局居中, 字体或图案与铭板边缘距离大于0.4mm。
8. 铭板字体为方正姚体。



### 8 包装方式 Packaging (50PCS/carton)



批准 Approval:	JB	审核 Check:	ZengL	制表 Execution:	LMY
--------------	----	-----------	-------	---------------	-----



<b>产品规格承认书</b> <b>SPECIFICATION</b>				文件编号 File No.	UME-EG-SP17040502/A1
品名 Product	开关电源 SPS	型号 Model	AD-A150P240	日期 Date	2017-04-05

## 9 材料清单 BOM LIST

NO	ITEM	DESCRIPTION	SPECIFICATION	QTY	MANUFACTURER
1	PCB	PCB	UME-138250A-PCB V-0	1	TXS/EL/MW/HG
2	RX1, RX2	Chip R	1MΩ ±5% 1206	2	YAGEO/FengHua
3	R1	Chip R	100Ω ±5% 1206	1	YAGEO/FengHua
4	R2	Chip C	471 ±10% X7R 1206	1	YAGEO/FengHua
5	R3	Chip R	510KΩ ±5% 1206	1	YAGEO/FengHua
6	R4,R5	Chip R	1.5MΩ ±1% 1206	2	YAGEO/FengHua
7	R6	MOSC R	0.5Ω ±5% 2WS	1	YAGEO/liying
8	R7,R9	Chip R	10Ω ±5% 0805	1	YAGEO/FengHua
9	R8	Chip R	10KΩ ±5% 0805	1	YAGEO/FengHua
10	R10	Chip R	330KΩ ±5% 0805	1	YAGEO/FengHua
11	R11,R12,R13	Chip R	0Ω ±5% 0805	3	YAGEO/FengHua
12	R14	Chip R	0Ω ±5% 1206	1	YAGEO/FengHua
13	R16	Chip R	360Ω ±5% 0805	1	YAGEO/FengHua
14	R17	Chip R	15KΩ ±5% 0805	1	YAGEO/FengHua
15	R18	Chip R	750KΩ ±5% 0805	1	YAGEO/FengHua
16	R19	Chip R	200KΩ ±5% 0805	1	YAGEO/FengHua
17	R20	Chip R	40.2KΩ ±1% 0805	1	YAGEO/FengHua
18	R21	Chip R	4.3MΩ ±5% 0805	1	YAGEO/FengHua
19	R22	Chip R	22Ω ±5% 0805	1	YAGEO/FengHua
20	R23	Chip R	3KΩ ±5% 0805	1	YAGEO/FengHua
21	R24	Chip R	36KΩ ±5% 0805	1	YAGEO/FengHua
22	BD1	Bridge Diode	Z4GP20KLH 2A 800V	1	ZW
23	D1	Chip Diode	M7 SMA	1	JF/MIC/PANJIT
24	D2	Chip Diode	RLS245 200V 0.2A LL-34	1	JF/EXCELL/PANJIT
25	D3	Chip Diode	SRGC10MH 1000V 1A 1206-S/500ns	1	JF/ZW/PANJIT
26	C6	Chip C	223 50V ±10%0805 X7R	1	YAGEO/FENG HUA
27	C10	Chip C	104 50V ±10%0805 X7R	1	YAGEO/FENG HUA
28	C11	Chip C	102 500V ±10%1206 X7R	1	YAGEO/FENG HUA
29	U1	IC	0B2283K SOP-23	1	On Bright
30	U2	IC	CJ431±0.5% SOT-23	1	Changdian/UTC
31	LED	Chip LED	0805 LED Red	1	HongQi/Molisen

批准 Approval:	<i>JB</i>	审核 Check:	<i>ZengL</i>	制表 Execution:	<i>LMY</i>
--------------	-----------	-----------	--------------	---------------	------------





<b>产品规格承认书</b> <b>SPECIFICATION</b>				文件编号 File No.	UME-EG-SP17040502/A1
品名 Product	开关电源 SPS	型号 Model	AD-A150P240	日期 Date	2017-04-05

32	FI	FUSE	*T3.15A/250V 3.75*10mm	1	XC/SUNNY/Little fuse
33	F1	Tube	Φ5mm 125℃ (UL)	15	RUIISHI/Sanlian
34	CX1	X Cap	0.22uF 275V ±20% P=10mm	1	STE/UTC
35	LF1	Inductance	360uH MIN Φ0.6*5*11mm	1	HXH/VS/NH
36	LF2	Inductance	9mH MIN Φ0.3mm UU9.8 180℃	1	HXH/VS/NH
37	CN1	AC INLET	ST-A03-005AT5(A:1.7)2PIN 22.5* 17.5*13	1	BEL
38	CY1	Y cap	Y1 102 400V ±20% P=10mm	1	STE/UTC
39	TR	TRANSFORMER	TRRM8-15024A	1	HXH/Zhuoyue
40	PH1	Photo	BPC-817MB DIP-4 P=10.2mm	1	Baihong
41			EL-817MB DIP-4 P=10.2mm	1	Everlight
42	D4	SCHOTTKY	SR20100CT 100V 20A TO-220AB MBR20100CTH 100V 20A TO-220AB	1	Jinheng Panjit
43	Q1	MOSFEET	MDF10N60TH 600V 10A TO-220F	1	Magnachip/Toshiba
44	Q1, D4	Screw	Φ3*8	1	Yunzhan/jixin
45	Q1, D4	Nut	Φ3.0mm	1	Yunzhan/jixin
46	D4	Silicon Sheet	13*19*0.25mm	1	Guanghuitian
47		Insulation sheet	BUSHING T-220	1	Guanghuitian
48	C1	E cap	68uF 400V ±20% 105℃ Φ18*20mm(BXW)	1	Rubycon
49	C3	E cap	4.7uF 50V ±20% 105℃ Φ5*11mm(YXF)	1	Rubycon
50	C8 C9	E cap	680uF 25V ±20% 105℃ Φ8*20mm(ZLH)	1	Rubycon
51	Q1	Heat Sink	SINK-120300T	1	Xiezhun
52	D4	Heat Sink	SINK-120300T1	1	Xiezhun
53		DC Cable	Φ2.5*5.5*9.5 2464 20AWG 1500mm BK SR-002	1	DPK/Kaibo
54		AC Cable	<PS>E 2*0.75mm <sup>2</sup> VCTFK. L=1800mm, Black, Lead-free soldering	1	Goldcome / LINOYA /Kailian
55		Case	UME 3006A BK PC2540(f2)	1	SLIVER
56		Case	UME 3006B BK PC2540(f2)	1	SLIVER
57		Nameplate	NAP-150240A-PSE	1	YHX
58		PE bag	215*135*0.04T	1	JJD
59		Out carton	430*400*250mm BIN-120050B	0.02	XinRuicheng/FuXing

批准 Approval:	<i>JB</i>	审核 Check:	<i>ZengL</i>	制表 Execution:	<i>LMY</i>
--------------	-----------	-----------	--------------	---------------	------------



<p>产品规格承认书 SPECIFICATION</p>				<p>文件编号 File No.</p>	<p>UME-EG-SP17040502/A1</p>
<p>品名 Product</p>	<p>开关电源 SPS</p>	<p>型号 Model</p>	<p>AD-A150P240</p>	<p>日期 Date</p>	<p>2017-04-05</p>

60		Partition	425*395*3mm	0.06	XinRuicheng/FuXing
61		cutting disc	415*120*5mm	0.24	Xingchingyi/FuXing
62		cutting disc	395*120mm	0.24	Xingchingyi/FuXing
63		UL Bond	UB-100	0.55	U-BAN
64		Solder Bar	1Cu 99Sn	0.5	YUNNAN Tin
65		Solder wire	0.3Ag 0.7Cu 99Sn	0.1	YUNNAN Tin

<p>批准 Approval:</p>	<p><i>JB</i></p>	<p>审核 Check:</p>	<p><i>ZengL</i></p>	<p>制表 Execution:</p>	<p><i>LMY</i></p>
---------------------	------------------	------------------	---------------------	----------------------	-------------------