



产品规格承认书 SPECIFICATION

文件编号 File No.: UME-EG-SP170302001/A1

客户 Customer	AKON	核准 Approval	
品名 Product	开关电源 Switching power supply	品管确认 QC	
型号 Model	AD-B240P250	审核 Check	
日期 Date	2017-03-02	拟制 Execution	LMY

客户承认意见 Confirmation by Customer	客户签署 Stamp & Signature
<input type="checkbox"/> 合格 Accept	
<input type="checkbox"/> 不合格 Reject	
<input type="checkbox"/> 条件合格 Conditional Acceptance	

确认签署后，请回传一份。有任何问题，请尽快告知我们。

Please return one copy to us with your signature and feel free to contact us for any questions.

厦门友盟电子有限公司

XIAMEN UME ELECTRONICS CO., LTD.

电话 Tel:0592-2611448

传真 Fax:0592-5755330

地址:厦门湖里区殿前一路536号

Add:NO. 536 Dianqian YiLu, Huli District, Xiamen.



产品规格承认书 SPECIFICATION				文件编号 File No.	UME-EG-SP170302001/A1
品名 Product	开关电源 SPS	型号 Model	AD-B240P250	日期 Date	2017-03-02

目录 INDEX

1	变更履历 Revision History.....	1-3
2	概述 Summary	2-4
3	技术要求 Technical requirements.....	3-4
3.1	安全标准 Safety Standards	3-4
3.2	Input	3-4
3.3	Output.....	3-5
3.4	Regulation:.....	3-5
3.5	可靠性及质量控制 Reliability and Quality Control.....	3-5
3.6	测试线路图 Test Circuit.....	3-10
4	线路图 Schematic Diagram	4-10
5	电路板图 P.C.B.....	5-11
6	CORD 图.....	6-12
7	AC CORD.....	7-13
8	外观示意图 Mechanical Drawing	8-14
9	铭板标识 Label	8-145
10	包装方式 Packaging	10-155
11	材料清单 BOM.....	10-156

*** The products limited warranty period is 18 months.
(From date code of product.)**

● The products meet RoHS requirements.

批准 Approval:	Vicon	审核 Check:	ZengL	制表 Execution:	ZL
--------------	-------	-----------	-------	---------------	----



产品规格承认书 SPECIFICATION				文件编号 File No.	UME-EG-SP170302001/A1
品名 Product	开关电源 SPS	型号 Model	AD-B240P250	日期 Date	2017-03-02

1 变更履历 Revision History

版本 REV	变更日期 Date	变更内容 Content of Change	制表 Execution	审核 Check	批准 Approval
V1.0	2017-03-02	1.First Issue	<i>Lmy</i>	<i>ZengL</i>	<i>Vicon</i>

批准 Approval:	<i>Vicon</i>	审核 Check:	<i>ZengL</i>	制表 Execution:	<i>ZL</i>
--------------	--------------	-----------	--------------	---------------	-----------



产品规格承认书 SPECIFICATION				文件编号 File No.	UME-EG-SP170302001/A1
品名 Product	开关电源 SPS	型号 Model	AD-B240P250	日期 Date	2017-03-02

2 概述 Summary

2.1 本文件包含一般的客户要求及电气、机构和安全性能等方面的描述。

This document contains general customer requirements and those of specific electrical, mechanical and safety for this product.

2.2 Name division table

MODEL NO.	PLUG	DESIGN No.
AD-B240P250	EIAJ	SW-240250G

3 技术要求 Technical requirements

3.1 安全标准 Safety Standards

UL (USA): UL1310/UL60950

EUROPE: IEC60950

AS/NZ (New Zealand): AS/NZ60950

CCC: GB4943-2011

PSE: 電安法省令第一項

3.2 Input

Rated Input Voltage	100-240Vac
Operating Range	90-264Vac
Rated Input Frequency	50~60Hz +/-10%
Input Frequency Range	45~66Hz
Rated Input Current	1.2A
Maximum Input Power	75W
Input Power (No Load)	0.1W Max@Ip:100Vac; 0.2W Max@Ip:240Vac
Primary Current Protection	Current fuse
AC Blade	PSE type AC Blade
AC Cable	<PS>E 2*0.75mm ² VCTFK L = 1800mm, Black, Lead-free soldering

批准 Approval:	Vicon	审核 Check:	ZengL	制表 Execution:	ZL
--------------	-------	-----------	-------	---------------	----



产品规格承认书 SPECIFICATION				文件编号 File No.	UME-EG-SP170302001/A1
品名 Product	开关电源 SPS	型号 Model	AD-B240P250	日期 Date	2017-03-02

3.3 Output

Output voltage	24V ± 5%
Rated Load Current	2500mA
Over Current Protection	4.0A Min @Vin=100Vac/240Vac
Line Regulation	The line regulation is less than ±2% while measuring at rated load and +/-5% of input voltage changing.
Ripple	≅ 150mVp-p
Switching Efficiency	87.4% minimum@ input 115AC/230VAC, can meet Level V standard.
DC Plug	Φ2.1*5.5*9.5(EIAJ)
DC Cord	18AWG UL2464 L = 1500mm, Black Lead-free soldering

3.4 Regulation:

IEEE1725 (IEEE Standard for Rechargeable Batteries for Cellular Telephones)

ENERGY STAR / California Appliance Efficiency Program (for US) : Level V

Australian and New Zealand Energy Performance Requirements (for NZ) : Level V

Proposition 65 (Safe Drinking Water and Toxic Enforcement Act of 1986)

3.5 可靠性及质量控制 Reliability and Quality Control

【Electrical Test Items】

Item	Conditions	Criteria
1	Leakage Current Measure the leakage current between Primary and Secondary when adding rated input. AC input = Rating voltage (100/240V)	Less than 250μA
2	ESD Test 1. Test is conducted at room temperature/humidity.(25°C, RH 50-60%) 2. Test set is 150pF/150Ω. 3.(1)±4KV:Contact discharge test. +phase: 3times, -phase: 3times, total: 6times. (2)±8KV:Air discharge test. +phase : 3times, -phase: 3times, total: 6times.	No malfunction (must be in spec after test).

批准 Approval:	Vicon	审核 Check:	ZengL	制表 Execution:	ZL
--------------	-------	-----------	-------	---------------	----



产品规格承认书 SPECIFICATION				文件编号 File No.	UME-EG-SP170302001/A1
品名 Product	开关电源 SPS	型号 Model	AD-B240P250	日期 Date	2017-03-02

		(Note) After each ESD test, it should be discharged.	
		1.Test is conducted at room temperature/humidity.(25°C, RH 50-60%) 2.Test set is 150pF/150Ω. 3.(1)±6KV:Contact discharge test. + phase: 3times, - phase: 3times total: 6times. (2)±10KV:Air discharge test. + phase: 3times, - phase: 3times, total: 6times. (Note)After each ESD test, it should be discharged.	No destruction
ESD Test (Ability test)		1.Test is conducted at room temperature/humidity.(25°C, RH 50-60%) 2.Test condition: 150pF/150Ω. 3,Contact discharge / Air discharge 4,Load: 1)no load 2)rated load 5. Impressing 10 times continuously to plus and minus each. 6,Discharging once after impressing 10 times (To confirm the capacity of unit up to the unit destroyed)	It confirms at which voltage value the adapter breaks.(Note: Not part of qualification)
3	Electric strength	Condition=AC3000V, 1min. Test place=Between AC blade and DC plug Sensitivity current=10mA	No malfunction. (damage, arc, breakdown etc)
4	Insulation resistance	DC500V, 1min. Between AC blade and DC plug	More than 100MΩ
5	Temperature Rise Test	1.Apply rating input voltage(100/240V), 2.Load: Charge actual Cellular phone 3.Measure the surface temperature of the adaptor 4.T ambient = The room temperature 5.Condition: Until it carries out temperature saturation (the definition of temperature than 1°C in 1 hour).	Housing surface Temperature rise is less than 50K.
		1.Apply rating input voltage(100/240V), 2.No Load 3.Measure the surface temperature of the adaptor	Housing surface Temperature rise is less than 15K.
6	Input over / under	Apply voltage=(rating input voltage)x(1±30%) Impressed time : 24h	No destruction
7	EMI/Conducted Emission	Telephone stand by mode with rapid-charge condition	Conform to: FCC 47CFR Part 15 Class B (for US) EN55022

批准 Approval:	Vicon	审核 Check:	ZengL	制表 Execution:	ZL
--------------	-------	-----------	-------	---------------	----



产品规格承认书 SPECIFICATION				文件编号 File No.	UME-EG-SP170302001/A1
品名 Product	开关电源 SPS	型号 Model	AD-B240P250	日期 Date	2017-03-02

【Environmental Test Items】

Item	Conditions	Criteria
1	Temperature range Electrical performance guarantees temperature range: 0°C to 40°C、 Electrical performance not guarantees working temperature range: -20°C to 50°C Storage temperature range: -30°C to 80°C	No abnormal appearance, mechanic performance or electric performance
2	High Temperature Leave 1. Temperature 80°C for 96 hours. 2. After that test, test set is left in normal temperature, humidity condition for more than 1hour, then evaluate.	No abnormal appearance, mechanic performance or electric performance
3	Low Temperature Leave 1. Temperature -30°C for 96 hours. 2. After that test, test set is left in normal temperature, humidity condition more than 1(hour), then evaluate.	
4	High Temperature Humidity 1. Temperature 50°C, air moisture 90-95% RH for 96 hours. 2. After that test, test set is left in normal temperature, humidity condition more than 30min, then evaluate.	
5	Temperature Humidity test 1. Temperature 40°C, air moisture 90-95% RH for 96 hours. 2. After that test, test set is left in normal temperature, humidity condition more than 30min, then evaluate.	
6	Heat Shock Test 1. Condition: -30°C/ 1 hour to +80°C/ 1 hour, 60 cycles 2. After that test, test set is left in normal temperature, humidity condition more than 1 hour, then evaluate.	
7	Heat/humidity Cycle Test A, C, D : RH=90 ± 10% B : RH= 90 ± 5% E : No limit After 5cycles, put EUT at room temperature/humidity condition	

批准 Approval:	Vicon	审核 Check:	ZengL	制表 Execution:	ZL
--------------	-------	-----------	-------	---------------	----



产品规格承认书 SPECIFICATION				文件编号 File No.	UME-EG-SP170302001/A1
品名 Product	开关电源 SPS	型号 Model	AD-B240P250	日期 Date	2017-03-02

【Mechanical Test Items】

Item		Conditions	Criteria
1	Drop Test	Height of drop: 1m, 2times/each surface (total 12 times), Floor: concrete.	No parts remove, no abnormal mechanic performance, (outside scratches are acceptable)
2	Package Drop Test	1. Packaged condition. 2. Drop test points (1) 1 corner (2) 2 edges (3) 4 surfaces, Total: 7times drop test. 3. Height of drop:50cm. Bottom surface drop test only apply 65cm.	
3	Unit Vibration Test	1. Vibration condition:33.3Hz/min. 20.6m/s ² 2. (1)Top/Bottom direction:4-hours (2)Right/Left direction:2-hours (3) Front/Back direction:2-hours	
4	Package Vibration	1.Vibration condition: 5-55-5Hz/2min. (1)Top/Bottom direction : 12.5(m/S ²)30(min) (2) Right/left direction : 7.5(m/S ²)15(min)*2	
5	AC Plug in/out Test (AC Blade part)	1. AC Plug in/out test more than 2000times 2.10(times/min). 1 time is in/out action.	
6	Exfoliate with cellophane tape and examine it	Use Nichiban 18mm or 24mm width	A character do not disappear.
7	Alcohol Examination-resistant	Weight : 500g Test cycles=100times	
8	The reliability to face each other to come off the label	① - 40°C ② 80°C ③ 50°C 90% Each 96 hours ④ ③ After, it is a thermal shock examination of 96 cycles	Don't take the label off the main body
9	No tally part step	Difference of the pitch by height differences of the tally part between casts	less than 0.25mm after an environmental examination
10	Appearance fault	Mode Bali short a bullet hole / a scratch / a sunspot / a white dot / an alien substance / a stain / a mustache / Weld flow mark gate trace / a crack / whitening	A few thing: It determines a limit if necessary. A reference standard: The deep wound 0.2mm ² following, the shallow wound 0.3mm ² following
11	Option carton packing	There is "Railway assurance mark" ① - 40°C②80°C③50°C 90%, each 96Hr ④③ After, it is thermal shock examination -20°C←→ 50°C 96 cycles float screens few thing	No abnormal appearance, mechanic performance or electric performance

批准 Approval:	Vicon	审核 Check:	ZengL	制表 Execution:	ZL
--------------	-------	-----------	-------	---------------	----



产品规格承认书 SPECIFICATION				文件编号 File No.	UME-EG-SP170302001/A1
品名 Product	开关电源 SPS	型号 Model	AD-B240P250	日期 Date	2017-03-02

【DC cord Test Items】

Item	Conditions	Criteria
1 DC Cord strength (adaptor side / plug side)	1. Test part : Between adaptor and DC cord 2. Pull a cord with 98N(10Kgf) force 3. Time: 1min.	No abnormality such as wire cut, bushing come off
2 DC Cord Bending Test (adaptor side / plug side)	Weight = 4.9N(500g) Angle = +/-90° Cycles in every minute = 40times/min. Test cycles = 1000times Note: 1 cycle = swing to the opposite direction and return to the original one.	Operate properly.
3 PLUG PULLING TEST1:	Apply a 29.4N (3kgf) static load on the strain relief of the plug device at 5-direction (Upper, lower, right, left, and push) for each 1 minute, The solder must not peel off from PCB, mechanical and electric characteristic shall be normal.	No abnormality such as cord cut, bushing comes off.

【Safety Test Items】

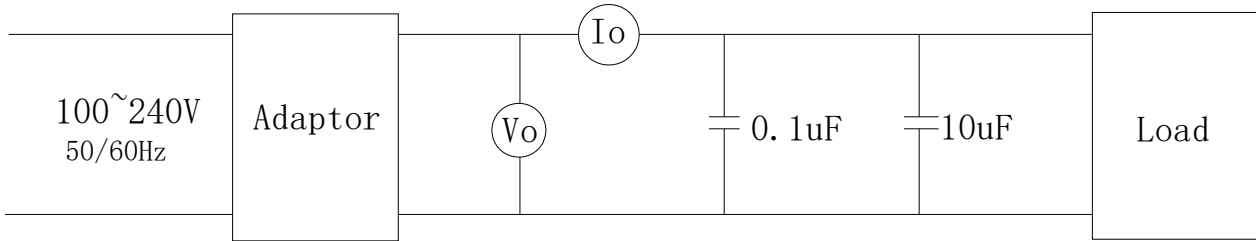
1	MTBF	Make a measurement condition, a calculation standard clear	More than 50,000 hours
2	Part materials	It is maintenance or the incombustibility of contact / part materials approaching it in an outer fence, the charge department of the electric part	same as UL94V-0; more than it
3	print board	Incombustibility	same as UL94V-0; more than it
4	Solder debris	We regulate solder debris less than 0.4mm 1. Soldering debris between 0.1mm shall be removed if at all possible. 2. Soldering debris between 0.1 to less than 0.4 mm, in case some soldering debris/wasters are in 5cm ² area. We total up their size and total less than 0.4mm shall be regarded as regulation.	
5	No tally part step	Difference of the pitch by height differences of the tally part between casts	less than 0.25mm after an environmental examination
6	Appearance fault	Mode Bali short a bullet hole / a scratch / a sunspot / a white dot / an alien substance / a stain / a mustache / Weld flow mark gate trace / a crack / whitening	A few thing: It determines a limit if necessary. A reference standard : The deep wound 0.2mm ² following, the shallow wound 0.3mm ² following.

批准 Approval:	Vicon	审核 Check:	ZengL	制表 Execution:	ZL
--------------	-------	-----------	-------	---------------	----

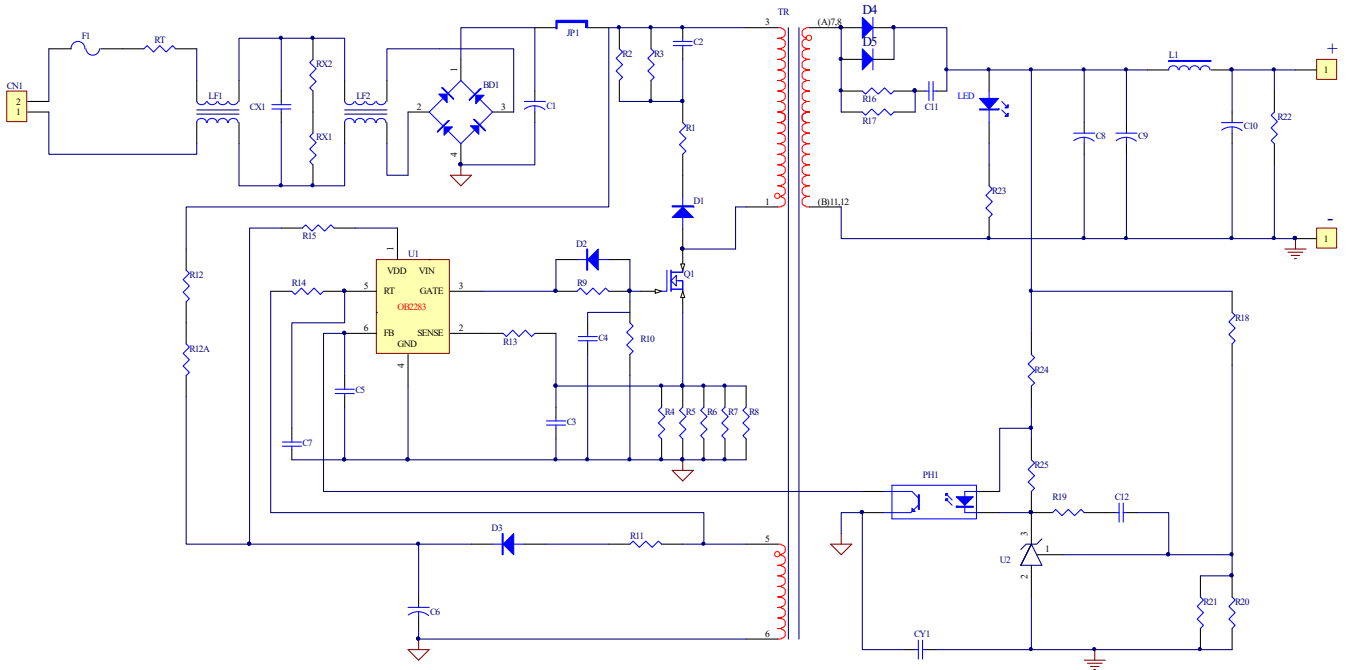


产品规格承认书 SPECIFICATION				文件编号 File No.	UME-EG-SP170302001/A1
品名 Product	开关电源 SPS	型号 Model	AD-B240P250	日期 Date	2017-03-02

3.6 测试线路图 Test Circuit



4 线路图 Schematic Diagram

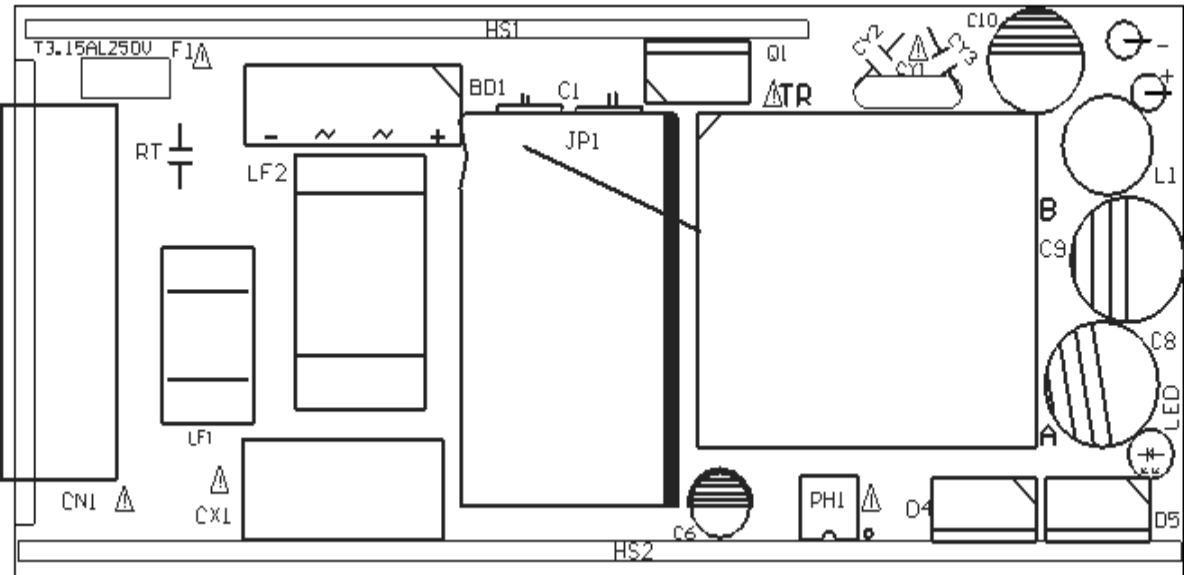
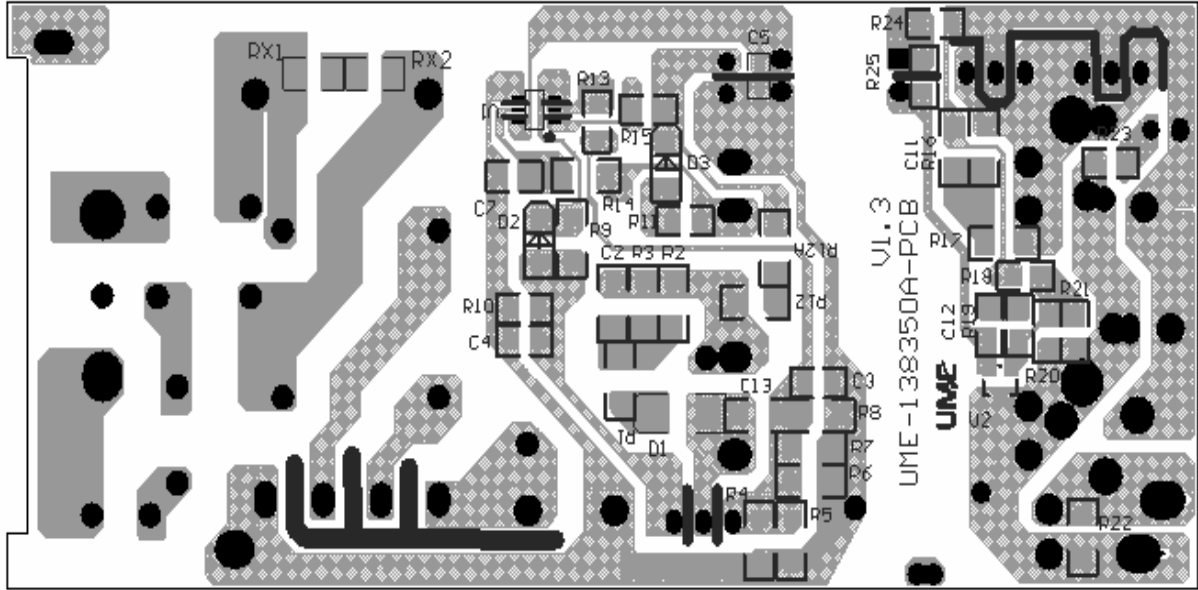


批准 Approval:	Vicon	审核 Check:	ZengL	制表 Execution:	ZL
--------------	-------	-----------	-------	---------------	----



产品规格承认书 SPECIFICATION				文件编号 File No.	UME-EG-SP170302001/A1
品名 Product	开关电源 SPS	型号 Model	AD-B240P250	日期 Date	2017-03-02

5 电路板图 P.C.B

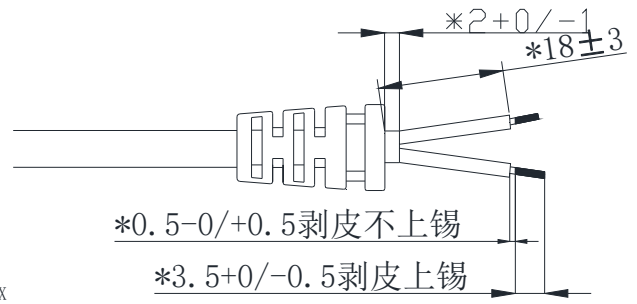
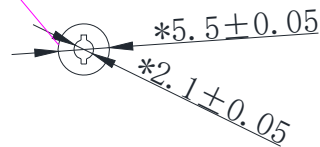
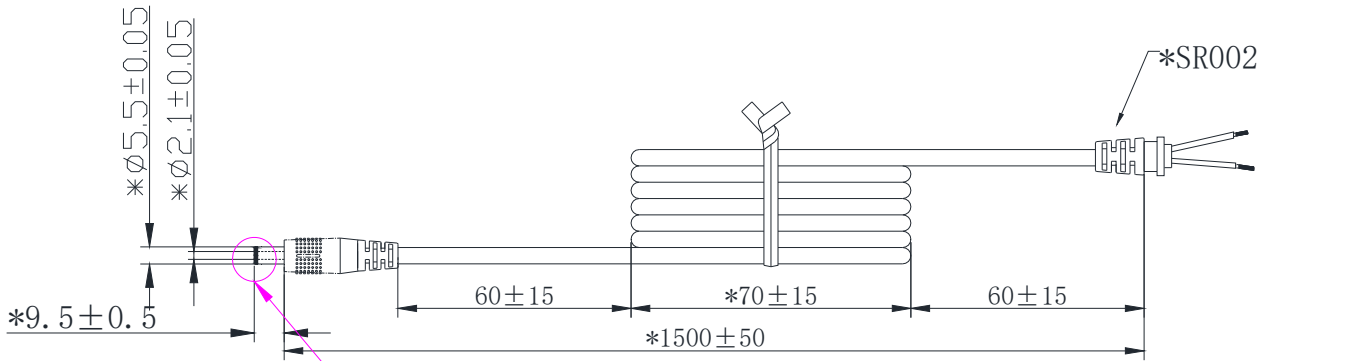


批准 Approval:	Vicon	审核 Check:	ZengL	制表 Execution:	ZL
--------------	-------	-----------	-------	---------------	----



产品规格承认书 SPECIFICATION			文件编号 File No.	UME-EG-SP170302001/A1	
品名 Product	开关电源 SPS	型号 Model	AD-B240P250	日期 Date	2017-03-02

6 CORD 图 (单位 unit: mm 颜色 color: Black)



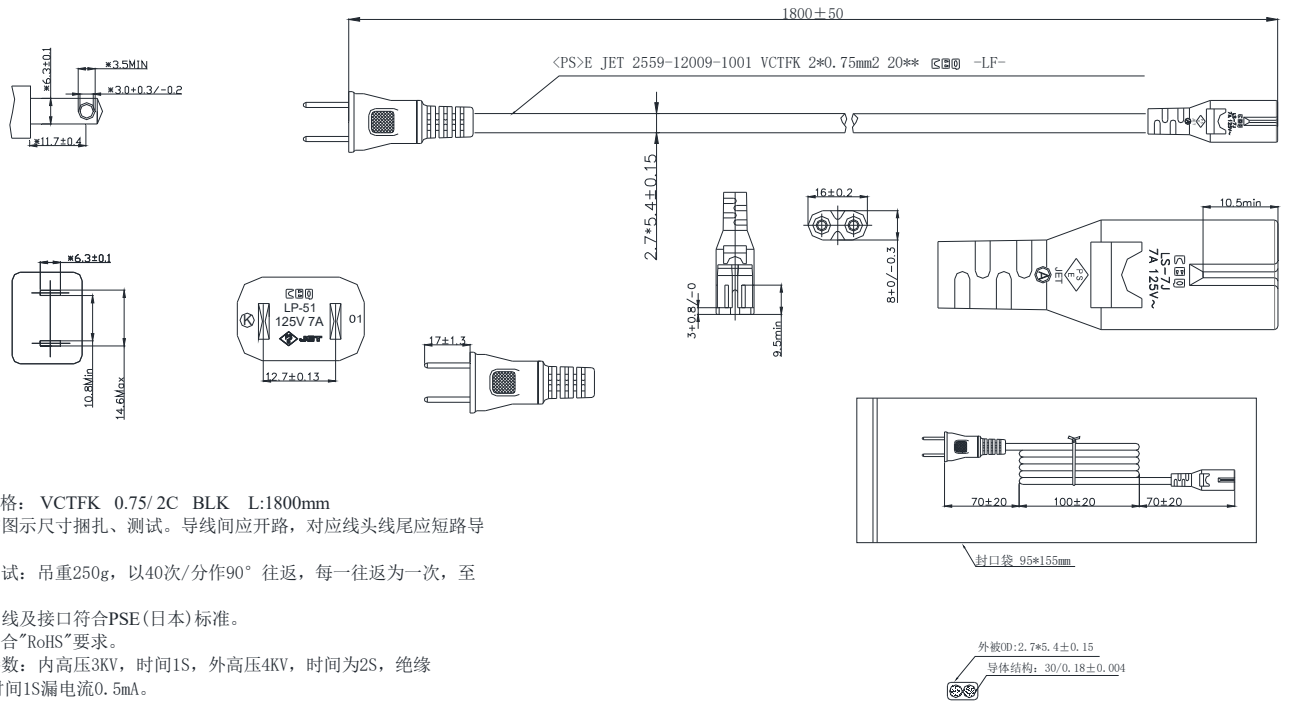
- 备注:
1. 导线规格: 18AWG 2464 音叉型 黑色, 芯线颜色: 红色+黑色, 导线总长 1500mm; 材质符合RoHS要求。导线按图示尺寸捆扎、测试, 导线间应开路, 对应线头线尾应短路导通, 极性连接正确;
 2. 两头剥线焊锡, 剥线长度3mm+1/-0。剥线要求如图所示, 剥丝线焊锡的直径为1.15mm MAX。接线方式: 红色芯线接PIN中心, 黑色芯线接外侧, PG头成型, SR-002成型; SR002尺寸为6.8*7.8mm。
 3. SR拉力测试: 吊重1Kg/10分钟, 不可有位移, 吊重5Kg/1分钟, 位移2mmMAX
 4. 插拔力测试: 插入力2KgMAX, 拔出力0.3KgMIN; 插拔6000MIN次不允许有电气和机械性能的损坏, 且满足拔出力0.1KgMIN;
 5. 摇摆测试: 吊重500g, 以40次/分作90°往返, 每一往返为一次, 至少1000次;
 6. PLUG绝缘阻抗测试: 100Ω MIN在500DC/分; PLUG接触阻抗测试: 100mΩ MAX;
 7. 导线, SR, PLUG非移行性依据厂内一般进行; 禁止使用VDE所禁用的物质。
 8. 打*号尺寸, 为入料检查项目;

批准 Approval:	Vicon	审核 Check:	ZengL	制表 Execution:	ZL
--------------	-------	-----------	-------	---------------	----



产品规格承认书 SPECIFICATION			文件编号 File No.	UME-EG-SP170302001/A1	
品名 Product	开关电源 SPS	型号 Model	AD-B240P250	日期 Date	2017-03-02

7 AC CORD 图



备注:

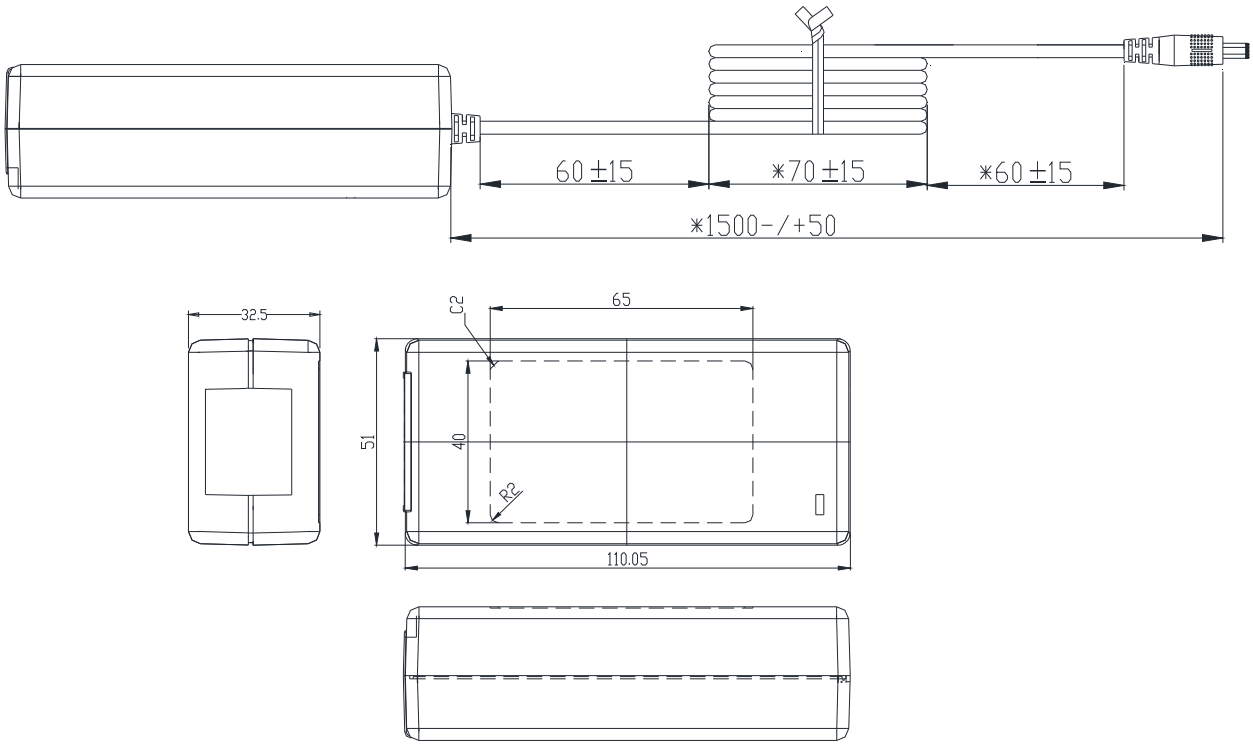
- 1、线材规格: VCTFK 0.75/2C BLK L:1800mm
- 2、导线按图示尺寸捆扎、测试。导线间应开路,对应线头线尾应短路导通。
- 3、摇摆测试: 吊重250g,以40次/分作90°往返,每一往返为一次,至少1000次。
- 4、插头、线及接口符合PSE(日本)标准。
- 5、材质符合“RoHS”要求。
- 6、测试参数: 内高压3KV,时间1S,外高压4KV,时间为2S,绝缘5MΩmin,时间1S漏电流0.5mA。
- 7、头部: LP-51 尾部: LS-7J

批准 Approval:	Vicon	审核 Check:	ZengL	制表 Execution:	ZL
--------------	-------	-----------	-------	---------------	----



产品规格承认书 SPECIFICATION				文件编号 File No.	UME-EG-SP170302001/A1
品名 Product	开关电源 SPS	型号 Model	AD-B240P250	日期 Date	2017-03-02

8 外观示意图 Cord and Mechanical Drawing (单位 unit: mm 颜色 color: Black)

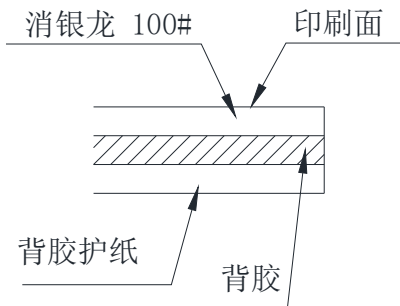


批准 Approval:	Vicon	审核 Check:	ZengL	制表 Execution:	ZL
--------------	-------	-----------	-------	---------------	----



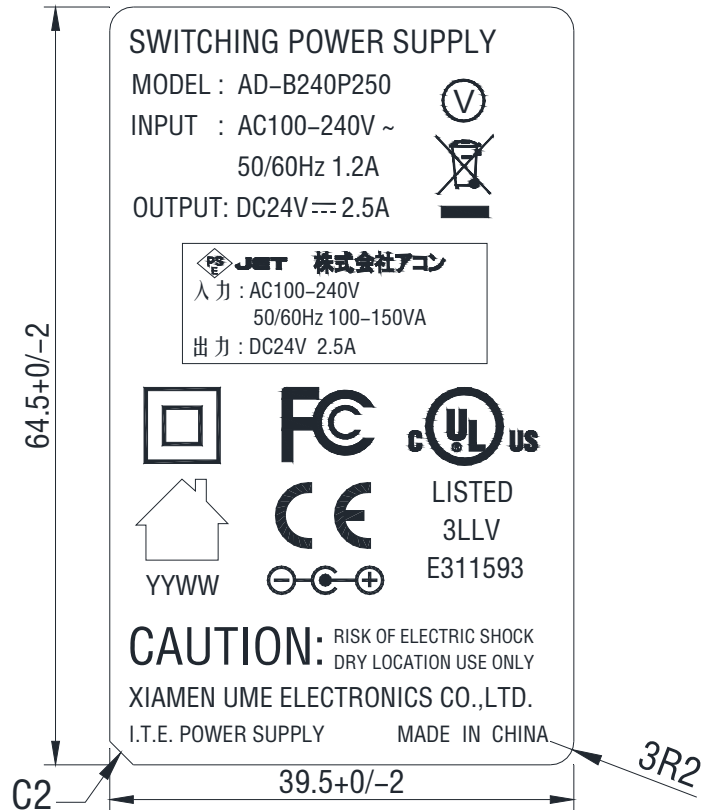
产品规格承认书 SPECIFICATION				文件编号 File No.	UME-EG-SP170302001/A1
品名 Product	开关电源 SPS	型号 Model	AD-B240P250	日期 Date	2017-03-02

9 铭板标识 Label

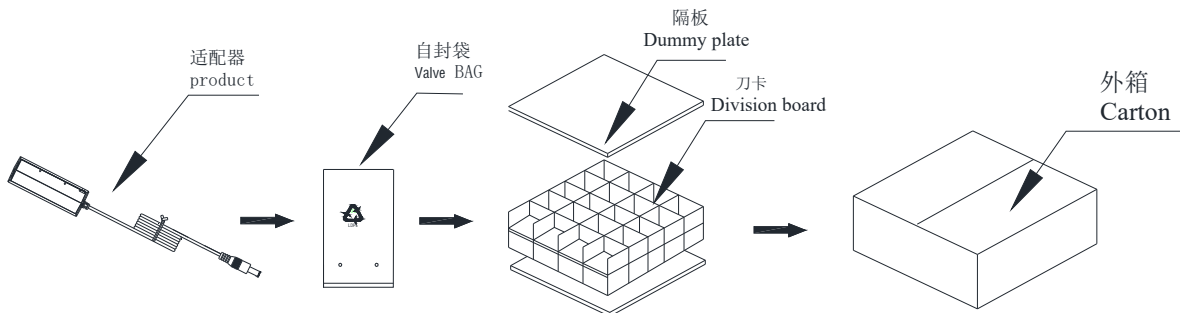


备注:

1. 材质: 消银龙 100#(铭板基材厚度0.1mm, 材质PET)。
2. 黑底银字, 表面上半亚膜, 印刷参照ARTWORK, 印刷位置居中。
3. 背胶:高冠DT#。
4. 密着性:将铭板贴于实际CASE上, 在-40° C下放置48小时, 再放入75° C, 90%RH下放置48小时后, 于常温常湿下放1小时, 在铭板长度方向上贴上强力胶带(3M NO.610 18mm宽或等价物), 以垂直方向急速拉起, 铭板不能有起泡或脱落。
5. 粘着力:依据铭板检验标准测试。
6. YY表示年份, WW表示周期, 年周依订单要求或实际生产日而定。
7. 字体清晰可读, 布局居中, 字体或图案与铭板边缘距离大于0.4mm。
8. 铭板字体为方正姚体。



10 包装方式 Packaging



批准 Approval:	Vicon	审核 Check:	ZengL	制表 Execution:	ZL
--------------	-------	-----------	-------	---------------	----



产品规格承认书 SPECIFICATION				文件编号 File No.	UME-EG-SP170302001/A1
品名 Product	开关电源 SPS	型号 Model	AD-B240P250	日期 Date	2017-03-02

11 材料清单 BOM

NO	ITEM	DESCRIPTION	SPECIFICATION	QTY	MANUFACTURER
1	PCB	PCB	UME-138350A-PCB	1	TXS/JT/MW/HG
2	RX1, R2	Chip R	3.0MΩ ±5% 1206	2	YAGEO/FengHua
3	RX2	Chip R	1.5MΩ ±5% 1206	1	YAGEO/FengHua
4	R3	Chip R	200KΩ ±5% 1206	1	YAGEO/FengHua
5	R12,R12A	Chip R	750KΩ ±5% 1206	2	YAGEO/FengHua
6	R4,R5,R6,R7,R8	Dip R	2.4Ω ±5% 1206	5	YAGEO/FengHua
7	R10,R23	Chip R	10KΩ ±5% 0805	2	YAGEO/FengHua
8	R9	Chip R	220Ω ±5% 1206	1	YAGEO/FengHua
9	R1,R16,R17	Chip R	51Ω ±5% 1206	3	YAGEO/FengHua
10	R19,R13	Chip R	1KΩ ±5% 0805	2	YAGEO/FengHua
11	R15	Chip R	0Ω ±5%0805	1	YAGEO/FengHua
12	R18	Chip R	24KΩ ±1% 0805	1	YAGEO/FengHua
13	R20	Chip R	3KΩ ±1% 0805	1	YAGEO/FengHua
14	R21	Chip R	30KΩ ±1% 0805	1	YAGEO/FengHua
15	R14	Chip R	300KΩ ±5% 1206	1	YAGEO/FengHua
16	R11	Chip R	15Ω ±5% 0805	1	YAGEO/FengHua
17	C2, C11	Chip C	102 500V ±10%1206 X7R	2	YAGEO/FENG HUA
18	C13	Chip C	221 630V ±10%1206 X7R	1	YAGEO/FENG HUA
19	C5	Chip C	103 50V ±10%0805 X7R	1	YAGEO/FENG HUA
20	C12	Chip C	684 50V ±10%0805 X7R	1	YAGEO/FENG HUA
21	BD2	Rectifier Bridge	KBL406G 600V 4A P=5mm	1	PANJIT
22	D1	Diode	M7 SMA	1	JF/MIC/PANJIT
23	D2,D3	Diode	LL4148 100V 0.2A LL-34	2	JF/MIC/PANJIT
24	D5	Insulation sheet	SR30100CTH 30A 100V TO-220	1	JF/ Panjit/Sirect/Diode
25	U1	IC	0B2283K SOT-23	1	On Bright

批准 Approval:	Vicon	审核 Check:	ZengL	制表 Execution:	ZL
--------------	-------	-----------	-------	---------------	----



产品规格承认书 SPECIFICATION				文件编号 File No.	UME-EG-SP170302001/A1
品名 Product	开关电源 SPS	型号 Model	AD-B240P250	日期 Date	2017-03-02

26	U2	IC	CJ431±0.5% SOT-23	1	Changdian/UTC
27	LED	LED	30 LED Green	1	Hong Qi
28	FI	FUSE	*T3.15A/250V P=5mm	1	XC/SUNNY/Little fuse
29	HS2	Tube	Φ20mm 125℃ (UL)	1	Sanlian/CY
30	HS1	Tube	L 型 70*20*2+33*30*2	1	Weiersi/LILIFA
31	HS2	Tube	长条型 101*21*2	1	Weiersi/LILIFA
32	HS3	Tube	U 型 88*45*0.5	1	Weiersi/LILIFA
33	Q1, D4, D5,CY1	Core	2*4*2	4	STE
34	Q1, D4, D5	Screw	Φ3*8	3	Yunzhan/jixin
35	Q1, D4, D5	Nut	Φ3mm	3	Yunzhan/jixin
36	CX1	X Cap	0.33uF 275V ±20% P=10	1	STE
37	L1	Inductance	1.4uH MIN D4*15Φ1.0 棒型材	1	VS/NH
38	LF1	Inductance	0.6mH MIN 0.5 UEW+TLW 并绕 (共模)	1	VS/NH
39	LF2	Inductance	20mH MIN 0.5 UEW+TLW 分绕 (共模)	1	VS/NH
40	CN1	AC INLET	ST-A01-003JY S33 (2.0)X:3.5mm 31*24*19.5mm	1	Chenli/BEJ
41	CY1	Y cap	Y1 222 400V ±20% P=10	1	STE/HJ
42	TR	TRANSFMOR	PQ2620-240250A	1	HXH/ ZY
43	PH1	Photo	EL-817MB DIP-4 P=10.2	1	Everlight
44	RT1	R	5Ω 3A NTC 5D-9	1	YAGEO/liying
45	Q1	MOSFEET	MDF10N60TH 600V 10A TO-220F	1	Magnachip/Toshiba/AUK
46	C1	E cap	120uF 400V ±20% 105℃ Φ18*30mm(BXF)	1	Rubycon
47	C6	E cap	10uF 50V ±20% 105℃ Φ5*11mm(YXF)	1	Rubycon
48	C8,C9	E cap	470uF 35V ±20% 105℃ Φ10*20mm(ZLH)	2	Rubycon
49	C10	E cap	270uF 35V ±20% 105℃ Φ8*16mm(ZLH)	1	Rubycon
50	JP1	JUMP WIRE	Φ0.5mm	1	UME
51	HS1,HS3	Insulation sheet	300*60*0.02mm	2	Jinghong

批准 Approval:	Vicon	审核 Check:	ZengL	制表 Execution:	ZL
--------------	-------	-----------	-------	---------------	----



产品规格承认书 SPECIFICATION				文件编号 File No.	UME-EG-SP170302001/A1
品名 Product	开关电源 SPS	型号 Model	AD-B240P250	日期 Date	2017-03-02

52	TR1	Silicon Sheet	30*20*2mm	1	Guanghuitian
53	C1+PIN		23LΦ1.0mm	1	Changyuan
54	CN1 L,N		UI1672 18awg 105℃ 300Vac 30mm	2	XinChenDa
55		Light Pipe	4.52*2.01*2.5+Φ6*Φ4.52 d=9.04mm	1	JinTonZhou
56		DC Cable	Φ2.1*5.5*9.5 2464 18AWG 1500mm BK	1	DPK/Kaibo/ Yonhap
57		AC Cable	<PS>E 2*0.75 mm ² VFF. L = 1800mm, Black, Lead-free soldering	1	Goldcome / LINOYA /Kailian
58		Case	UME 6005A BK PC940(f1)	1	Jinlifa(SABIC)
59		Case	UME 6005B BK PC940(f1)	1	Jinlifa(SABIC)
60		Nameplate	NAP-240250G1-PSE	1	Jingxing
61		Bubble Wrap	195*115	1	Xincheng
62		Valve bag	140*210*0.05T	1	Xincheng
63		Valve bag	95*155*0.05T	1	Xincheng
64		Out carton	470*370*270mm	0.02	XinRuicheng/ FuXing
65		partition	465*365*3mm	0.08	XinRuicheng/ FuXing
66		cutting disc	462*130*5mm	0.72	XinRuicheng/ FuXing
67		cutting disc	362*130*5mm	0.72	XinRuicheng/ FuXing
68		UL Bond	UB-100	0.55	U-BAN
69		Solder Bar	Pb free	0.4	YUNNANXIYE
70		Solder wire	Pb free	0.2	YUNNANXIYE

批准 Approval:	Vicon	审核 Check:	ZengL	制表 Execution:	ZL
--------------	-------	-----------	-------	---------------	----