



# Specification for Approval

**Customer** : 株式会社アコン

**Part Name** : AC Adapter

**Description** : 36.0 Volts / 8.33 Amps

**Model No.** : ATS300T-P360 (Level VI)

**Customer P / N** :

**Product P / N** : ATS300TP360Z12201

**Issued Date** : 11 - Aug. - 2021

**Version** : A1

**Issued Stamp** :

**Customer's approval signature**

**ADAPTER TECHNOLOGY CO.,LTD.**

**Office (Taiwan) : 6F-9, No.258, Liancheng Rd., Zhonghe District, New Taipei City 235,Taiwan (R.O.C.)**

**TEL : +886-2-8226-2279**

**FAX : +886-2-8226-2238**

**E-mail : service\_tw@adaptech.com.tw ; service@adaptech.com.tw**

**Factory (China) : BOAYANG ELECTRONICS CO., LTD.**

**(Philippines) : ADAPTER TECHNOLOGY CO.,LTD.**



**299.9 W  
AC Adapter  
SPECIFICATION**

**Model No.** : **ATS300T-P360 (Level VI)**

---

**Description** : **36.0 Volts / 8.33 Amps**

---

**Part No.** : **ATS300TP360Z12201**

---

**Version** : **A1**

---

**Date** : **11 - Aug. - 2021**

---

Approved	Reviewed	Checked	Prepared	Sales



## ■ Approval documents / spec. revised records

■ Customer : 株式会社アコン

■ Model no : ATS300T-P360

■ Original documents content : Spec. 10 pages , Attachment 3 pages

Revised Records : No.	Date	Description ( Before / After )	Page(s) Revised	Revised By (Adapter/Customer)	Version
1	Aug./11/2021	Issue	-	Satoshi	A1
2					
3					
4					
5					
6					
7					
8					
9					
10					
11					
12					
13					
14					
15					
16					
17					



## 1. Feature :

- ◆ **Input** : Universal 100 ~ 240 Vac / 50 ~ 60 Hz input, without any slide switch.
- ◆ **Output** : +36.0 V / 0 ~ 8.33 A
- ◆ **Case Dimension** : 254.0 (L) \* 116.0 (W) \* 47.0 (H) mm ± 1 mm
- ◆ **Efficiency** : Eff (av) ≥ 87.5% (at 115 Vac & 230 Vac)
- ◆ **Safety** : PSE
- ◆ **EMI** : CE / FCC (conduction & radiation Class B) Met.
- ◆ **Protection** : OVP (Over voltage protection), SCP (Short circuit protection), OCP (Over current protection), OTP (Over temperature protection)
- ◆ Suitable for usage at I.T.E., industrial controller
- ◆ Meet DoE Level VI

## 2. Input :

2.1 Voltage	Universal 100 ~ 240 Vac, single phase
2.2 Frequency	50 ~ 60 Hz
2.3 Current	3.9 A max.
2.4 Inrush Current	150 A max. / 230 Vac (cold start at 25°C, full load) ( ac source chroma 6530 )
2.5 Efficiency	Eff (av) ≥ 87.5% (at 115 Vac & 230 Vac)
2.6 Power Consumption	Pi ≤ 0.5 W (at 115 Vac & no load for DoE level VI)
2.7 Power Factor (PF)	Pi ≥ 0.9 ( at full load)

$$\text{※Eff (av)} = \frac{E_1 + E_2 + E_3 + E_4}{4}$$

E<sub>1</sub>=efficiency with 25% rated load ; E<sub>2</sub>= efficiency with 50% rated load  
E<sub>3</sub>=efficiency with 75% rated load ; E<sub>4</sub>= efficiency with 100% rated load

## 3. Output :

3.1 DC Output	Voltage	+36.0 V ± 5%
	Current	8.33 A max.
	Regulation	34.2 Vmin. ~ 36.0 Vtyp. ~ 37.8 Vmax.
	Ripple & Noise	360 mV <sub>p-p</sub> max.
	Total Power	299.9 W max.

Remark: For ripple & noise measurement, use a 20MHz bandwidth frequency oscilloscope, and add a 0.1μF multilayer Cap., and a low ESR electrolytic Cap. ( 47 μF ) at output connector terminals. (At nominal line voltage, full load)



## 4. Protection :

4.1 Over voltage protection (OVP)	Vout * 150% max., latch off.
4.2 Short circuit protection (SCP)	latch off.
4.3 Over current protection (OCP)	Iout * 150% max., latch off.
4.4 Over temperature protection (OTP)	latch off.

## 5. Safety requirement :

5.1. Dielectric strength : Cut off current 10 mA

(1)	Primary to secondary	3000 Vac for 1 minute
(2)	Primary to frame ground	1770 Vac for 1 minute

5.2. Insulation resistance :

(1)	Primary to secondary	10 MΩ for 500 Vdc
(2)	Primary to frame ground	10 MΩ for 500 Vdc

5.3 Leakage current : Less than 3.5 mA

5.4 Grounding test : < 0.1Ω

## 6. Operation and environment performance :

6.1 Temperature range

Operating	-20°C ~ + 40°C
Storage	-20°C ~ + 80°C

6.2 Humidity range(non-condensing)

Operating	20%~80% RH
Storage	10%~90% RH

6.3 Cooling : By natural air.

7. M.T.B.F. : 300,000 Hrs.(calculated hours at 25°C, by Telcordia SR-332)

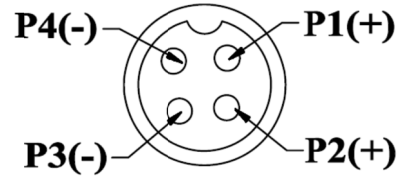
## 8. Mechanical :

8.1 Weight : 1600 g Ref.

8.2 Cable type : Black UL2094 16AWG \* 4C  
(Wire + Plug)

Plug : 4 Pin (MISUMI:PLT-164-P-R)

Output Cable Plug Pin Assignment

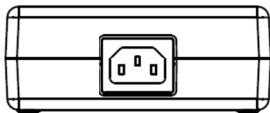
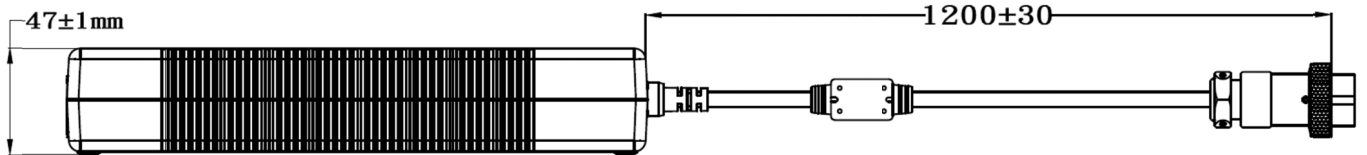
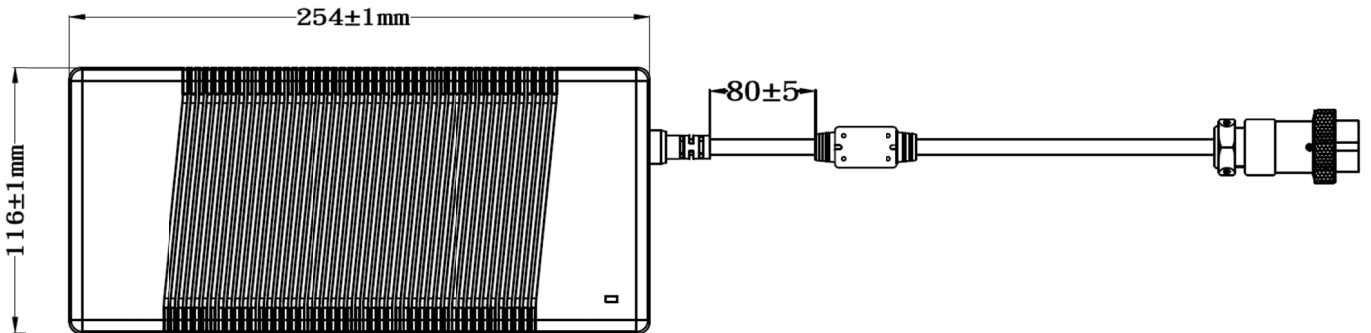


8.3 Cable length : 1200 mm

8.4 Case dimension : 254.0 (L) \* 116.0 (W) \* 47.0 (H) mm ± 1 mm

8.5 Material flammability : UL 94V-0

8.6 External appearance : As drawing below ( Scale → mm )




FRONT-VIEW

## 9. Label :


- 9.1 Label materials : Metalized polyester label (silver gloss)
- 9.2 Color : Black background with silver printing
- 9.3 Label dimension : 68.5 (L) \* 174.5 (W)mm ± 0.2 mm
- 9.4 Label thickness : 75#


# 100%




## ADAPTER TECH.


**AC ADAPTER**  
**Model : ATS300T-P360**  
**INPUT : 100-240V ~ 50-60Hz 3.9A Max.**  
**OUTPUT : 36.0V = 8.33A 299.9W**

  
 RoHS





For use with information technology equipment only  
 Laite on Liitettävä suojakoskettimilla varustettuun pistorasiaan  
 Apparatet må tilkobles jordet stikkontakt  
 Apparaten skall anslutas till jordat uttag  
 Apparatets stikprop skal tilsluttes en sikkontakt med jord, som giver forbindelse til stikproppens jord



**JET** 株式会社アコン

I/P : 100-240V AC 50-60Hz 310VA-340VA 3.9A  
 O/P : 36V DC 8.33A 必ず接地接続を行って下さい。

D/C:2132  
 MADE IN CHINA  
 ID NO . A  
 XXX

FOR INDOOR USE ONLY

**"XXX"**

**Label supplier's code**  
**It is accurate that the number of words depends on the real finished product**

# Label Part No:9443120730



## A. Line regulation test

Test result :

Test condition	Spec.	Reading 1	Reading 2	Reading 3
90 Vac / 50% Load	34.2 V ~ 37.8 V	36.1 V		
115 Vac / 50% Load	34.2 V ~ 37.8 V	36.1 V		
132 Vac / 50% Load	34.2 V ~ 37.8 V	36.1 V		
180 Vac / 50% Load	34.2 V ~ 37.8 V	36.1 V		
230 Vac / 50% Load	34.2 V ~ 37.8 V	36.1 V		
264 Vac / 50% Load	34.2 V ~ 37.8 V	36.1 V		

## B. Efficiency test

Test result :

Test condition	Spec.	Reading 1	Reading 2	Reading 3
115 Vac	90% Min.	90.29%		
230 Vac	90% Min.	91.73%		

$$\text{Eff (av)} = \frac{E_1 + E_2 + E_3 + E_4}{4}$$

$E_1$ =efficiency with 25% rated load,  $E_2$ = efficiency with 50% rated load  
 $E_3$ =efficiency with 75% rated load,  $E_4$ = efficiency with 100% rated load

## C. Load regulation test

Test result :

Test condition	Spec.	Reading 1	Reading 2	Reading 3
115 Vac / 0% Load	34.2 V ~ 37.8 V	36.3 V		
115 Vac / 50% Load	34.2 V ~ 37.8 V	36.1 V		
115 Vac / 100% Load	34.2 V ~ 37.8 V	35.9 V		
230 Vac / 0% Load	34.2 V ~ 37.8 V	36.3 V		
230 Vac / 50% Load	34.2 V ~ 37.8 V	36.1 V		
230 Vac / 100% Load	34.2 V ~ 37.8 V	35.9 V		

## D. Ripple & Noise test

Test result :

Test condition	Spec.	Reading 1	Reading 2	Reading 3
115 Vac / 100% Load	360 mVp-p max.	160 mV		
230 Vac / 100% Load	360 mVp-p max.	173 mV		



## E. Inrush current

Test result :

Test condition	Spec.	Reading 1	Reading 2	Reading 3
230 Vac / 100% Load	150 A max.	95 A		

## F. Over voltage protection

Test result :

Test condition	Spec.	Reading 1	Reading 2	Reading 3
115 Vac / 50% Load	Vout * 150% max.	113%		
230 Vac / 50% Load	Vout * 150% max.	113%		

## G. Over current protection

Test result :

Test condition	Spec.	Reading 1	Reading 2	Reading 3
115 Vac / 100% Load	Iout * 150% max.	114%		
230 Vac / 100% Load	Iout * 150% max.	114%		

## H. Short circuit protection

Test result :

Test condition	Spec.	Reading 1	Reading 2	Reading 3
115 Vac / 100% Load	<b>latch off</b>	OK		
230 Vac / 100% Load	<b>latch off</b>	OK		

## I. Input power consumption(no load)

Test result :

Test condition	Spec.	Reading 1	Reading 2	Reading 3
230 Vac / 0% Load	$\leq 0.5$ W	0.35 W		

## J. Power factor

Test result :

Test condition	Spec.	Reading 1	Reading 2	Reading 3
115 Vac / 100% Load	$\geq 0.9$	0.99		
230 Vac / 100% Load	$\geq 0.9$	0.96		



## Efficiency Test Report

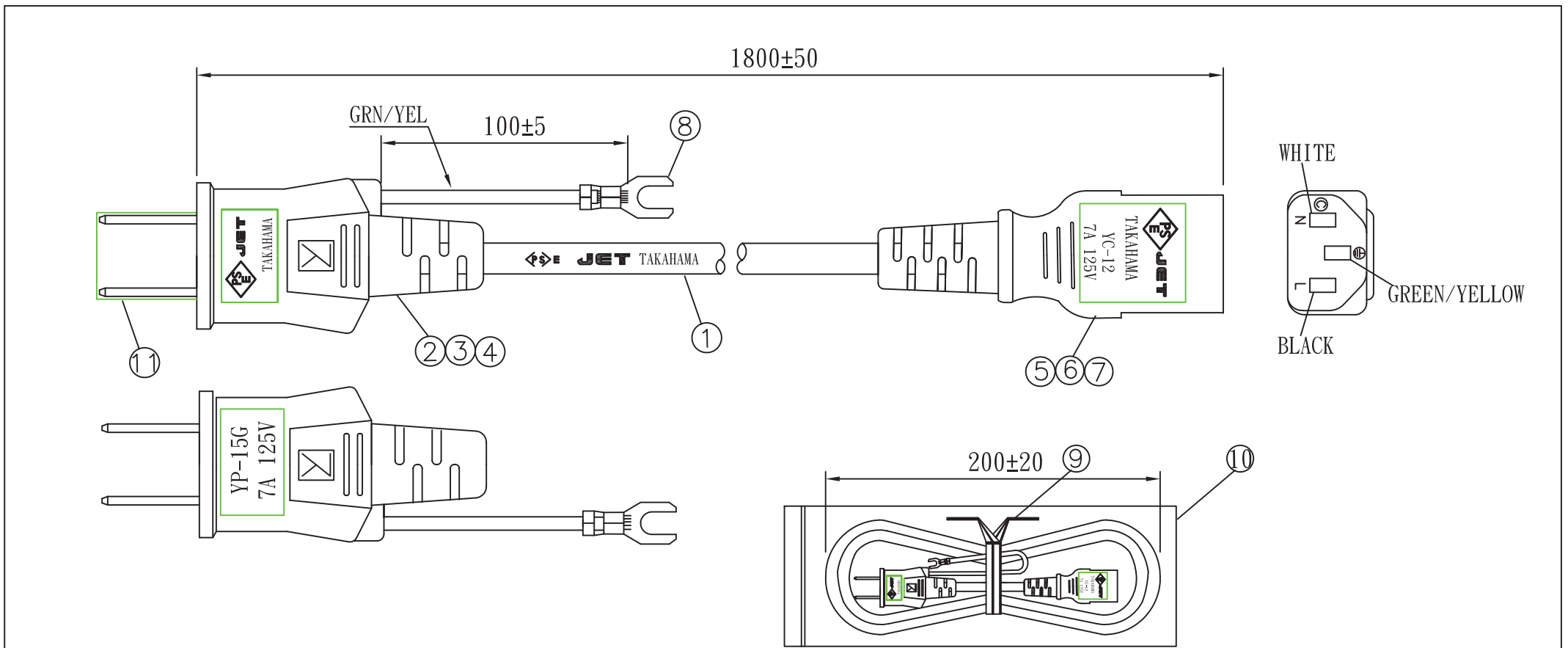
- A. Model Number** : ATM300T-P360 (36.0 V, 8.33 A, 299.9 W)  
**B. DC Power Cord** : UL2095, 16AWG, 4C, 1200 mm.  
**C. Average Efficiency** :  
**DoE LEVEL VI** 88% Min.  
**D. NO Load Power Consumption** :  
**DoE LEVEL VI** 0.5 W max.  
**E. Testing Dequpment** :  
**1. AC Power Source** : "EXTECH " 6620  
**2. Electronic Load** : " CHROMA " 63202  
**3. Power Meter** : " YOKOGAWA " WT-210  
**4. Digital Meter** : " FLUKE " 179  
**F. AC Input Voltage** : 115 Vac/60 Hz

Reported Quantity \ Load Conditions	Load Conditions				
	100% * I <sub>0</sub>	75% * I <sub>0</sub>	50% * I <sub>0</sub>	25% * I <sub>0</sub>	0% * I <sub>0</sub>
Rms Output Current(mA)	8330mA	6248mA	4165mA	2083mA	0mA
Rms Output Voltage(V)	35.940V	36.050V	36.160V	36.260V	36.350V
Active Output Power(W)	299.38W	225.22W	150.61W	75.51W	0.00W
Rms Input Voltage(V)	115V	115V	115V	115V	115V
Rms Input Current(A)	2.919A	2.166A	1.442A	0.742A	0.052A
Rms Input Power(W)	334.10W	248.76W	165.43W	83.91W	0.31W
Voltage T.H.D.(%)	0.34	0.33	0.29	0.26	0.25
True Power Factor	0.997	0.998	0.996	0.981	0.070
Power Consumed by UUT(W)	34.72W	23.54W	14.82W	8.40W	0.31W
Efficiency	89.61%	90.54%	91.04%	89.99%	*
Average Efficiency	90.29%				*

### **G. AC Input Voltage** 230Vac/50Hz

Reported Quantity \ Load Conditions	Load Conditions				
	100% * I <sub>0</sub>	75% * I <sub>0</sub>	50% * I <sub>0</sub>	25% * I <sub>0</sub>	0% * I <sub>0</sub>
Rms Output Current(mA)	8330mA	6248mA	4165mA	2083mA	0mA
Rms Output Voltage(V)	35.940V	36.050V	36.150V	36.260V	36.350V
Active Output Power(W)	299.38W	225.22W	150.56W	75.51W	0.00W
Rms Input Voltage(V)	230V	230V	230V	230V	230V
Rms Input Current(A)	1.472A	1.107A	0.753A	0.417A	0.074A
Rms Input Power(W)	327.03W	244.34W	163.19W	83.03W	0.35W
Voltage T.H.D.(%)	0.34	0.33	0.29	0.26	0.25
True Power Factor	0.968	0.962	0.943	0.866	0.045
Power Consumed by UUT(W)	27.65W	19.12W	12.63W	7.52W	0.35W
Efficiency	91.55%	92.18%	92.26%	90.94%	*
Average Efficiency	91.73%				*

Tester : Satoshi



NO.	SPECIFICATION	Q' TY	REMARK
1	VCTF 0.75/3C BLACK PSE	1PC	
2	YP-15G TER:98675BS-1	2PCS	
3	TP-15G INNER BODY	1PC	
4	YP-15G PVC PLASTIC:50P BLACK	23g/PC	
5	YC-12 PVC PLASTIC:50P BLACK	18g/PC	
6	YC-12 TER:97740PS-0	3PCS	
7	YC-12 INNER BODY	1PC	
8	"Y"TER:96552BS-2	1PC	
9	MINI TIE:L=130mm	1PC	
10	LOCK BAG:250*110*0.04mm	1PC	
11	SLEEVE WHITE	1PC	

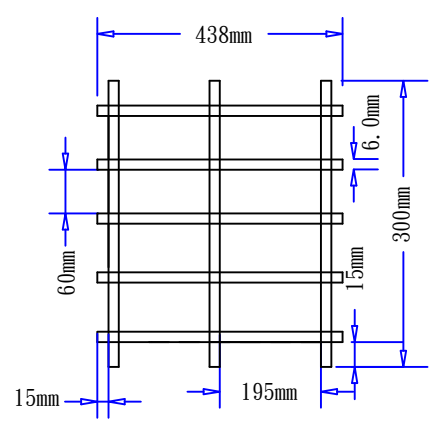
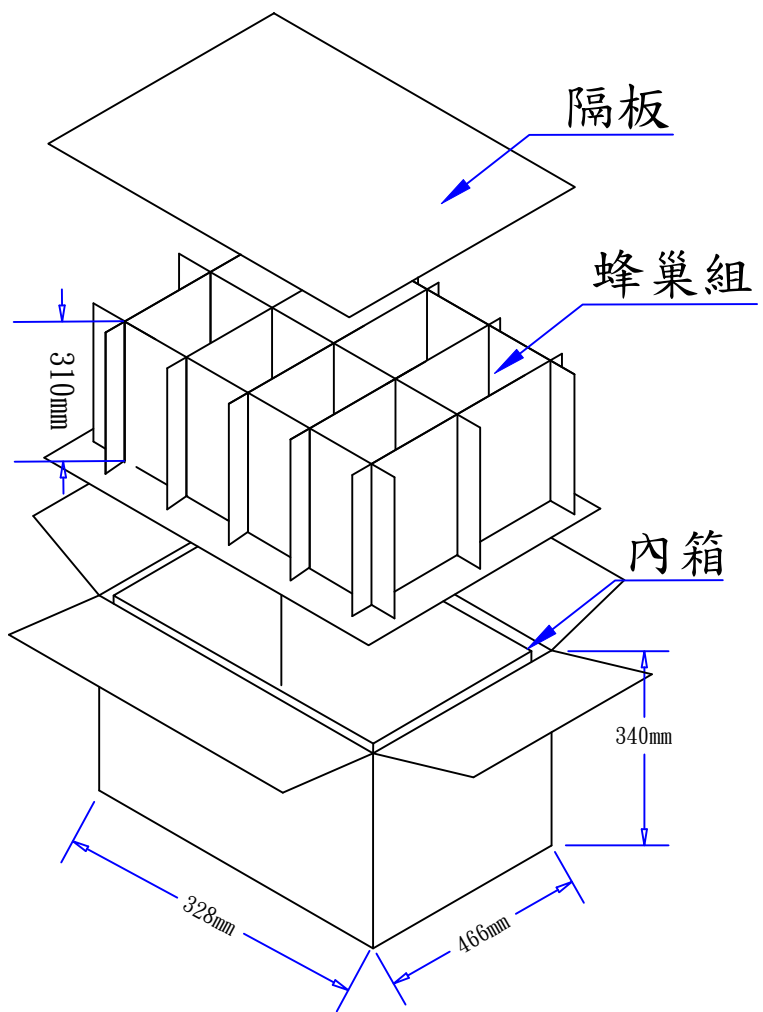
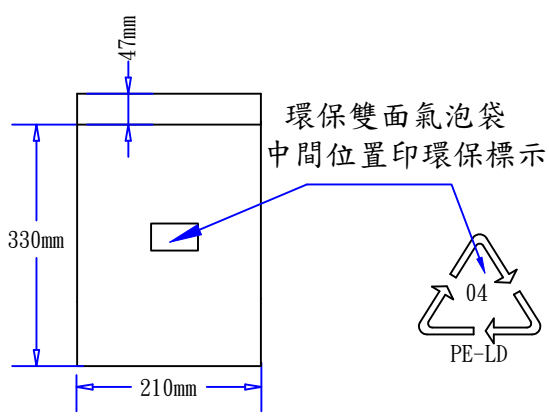
CORD MARKING:

《P》E JET TAKAHAMA VCTF 3G 0.75mm<sup>2</sup> 20XX -F-

Tolerance >0±0.30 >1.0±0.50 >10.0±1.0 >20.0±2.0 Angle: ±1°	Approved	Date		<b>YUNG LI CO.,LTD</b>					
	Checked	Date							
	Drawn	黃 方	Date	15.12.24	Customer	阿達特			
	Cat. No.	YP-15G/YC-12			P/N.	R427A218011			
	Drawing No.	CY-P0335		Rev.	B	Material	P.V.C	Unit	mm
						HEFT(g)			



REVISIONS				
SHOW	REV	DESCRIPTION	DATE	APPROVED
△	A	初版制作	21/01/27	SUN



**PIS300W0008 包裝(FOR ATS300T-P+AC Cord)(K=K)-環保雙面氣泡袋-內箱-邊分-8**

- [9550046801](#) 1. 隔板:438(L)\*300(W)\*6mm K=K 2/8
- 2. 數量:2\*4\*1=8PCS
- [9520073701](#) 3. 內箱:452(L)\*314(W)\*322(H)mm(無上下蓋) K=K 1/8
- [9520073801](#) 4. 外箱:466(L)\*328(W)\*340(H)mm K=K 1/8
- [9560045401](#) 5. 3刀卡:438(L)\*310(W)\*6mm(邊分) K=K 5/8
- [9560045501](#) 6. 5刀卡:300(L)\*310(W)\*6mm(邊分) K=K 3/8
- [9540011301](#) 7. 環保雙面氣泡袋:330(L)\*210(W)\*47mm 無色透明, 中間位置須加印環保標示. 1/1
- 8. 將成品放入氣泡袋中,LABEL 朝向環保標示,SR 部份朝上,AC 線裝入蜂巢位於DC 線側, 所有包裝需統一.
- 9. 外箱標示為外徑尺寸, 以上材料需符合RoHS標準.

阿達特科技股份有限公司  
Adapter Technology Co., Ltd.

DRAWING NO. <b>PIS300W0008</b>			APPROVAL 1 BY		
UNIT	MODEL NO. ATS300T-P/A+AC線		APPROVAL 2 BY		
mm	FILE NO. ADT-0722		CHECKED BY(ENGINEER)		Sun
SCALE	REV. A	SHEET 1/1	DRAWN BY		Moon
Apply for sales		Apply for engineer		Use the sales	Use the engineer



# Adapter Technology Co, Ltd

9.7 Spec Label Materials : Metalized Polyester Label ( Silver Gloss )  
 Color : Black Background with Silver Printing  
 Label Dimension : 68.5mm(H)\*174.5mm(W)+/-0.1mm  
 Label Thickness : 75#

## 100%

### ADAPTER TECH.

AC ADAPTER

Model : ATS300T-P360

INPUT : 100-240V ~ 50-60Hz 3.9A Max.

OUTPUT : 36.0V = 8.33A 299.9W



For use with information technology equipment only  
 Laite on liitettävä suojakoskettimilla varustettuun pistorasiaan  
 Apparatet må tilkobles jordet stikkontakt  
 Apparaten skall anslutas till jordat uttag  
 Apparatets stikprop skal tilsluttes en stikkontakt med jord, som giver forbindelse til stikproppens jord

**PS E** JET 株式会社アコン  
 I/P : 100-240V AC 50-60Hz 310VA-340VA 3.9A  
 O/P : 36V DC 8.33A 必ず接地接続を行って下さい。

D/C:2132  
 MADE IN CHINA  
 ID NO. A  
 XXX

FOR INDOOR USE ONLY

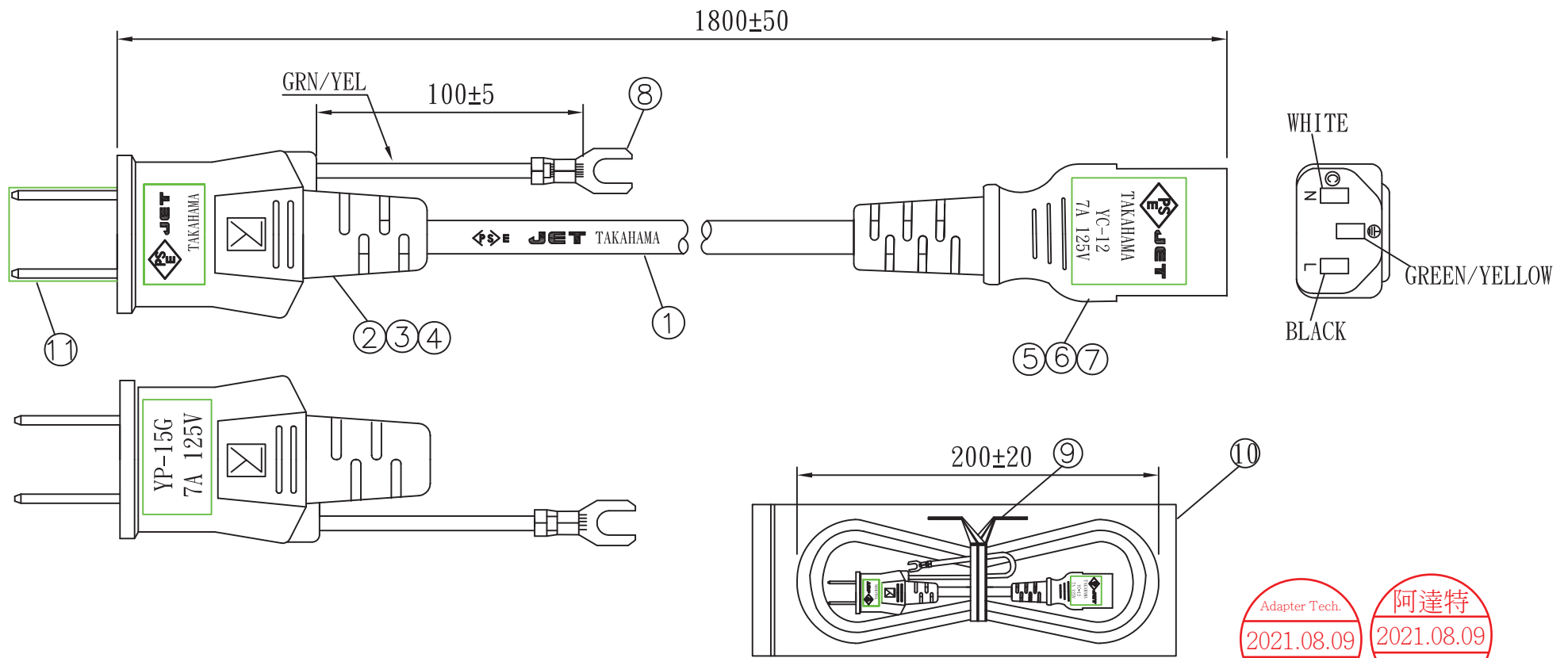
"XXX"

Label supplier's code

It is accurate that the number of words depends on the real finished product



# Label Part No:9443120730



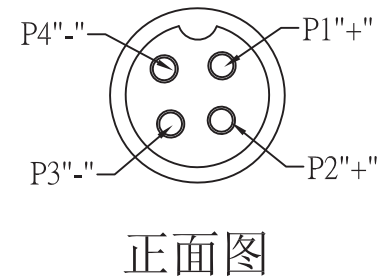
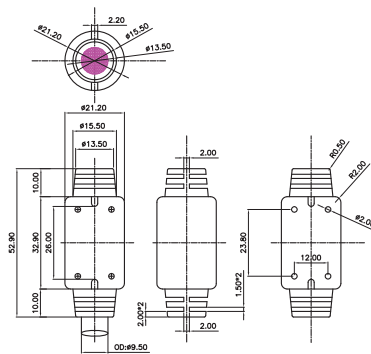
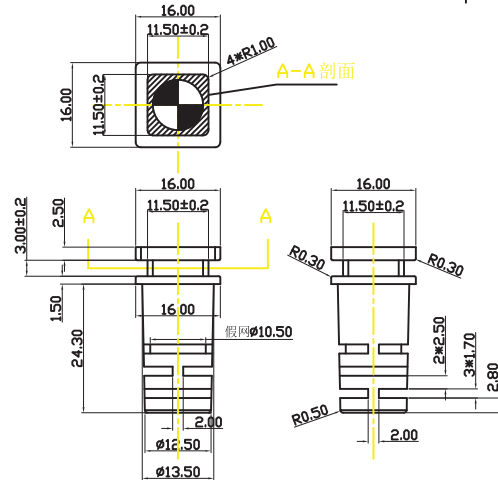
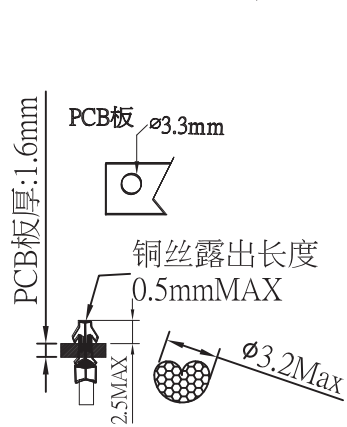
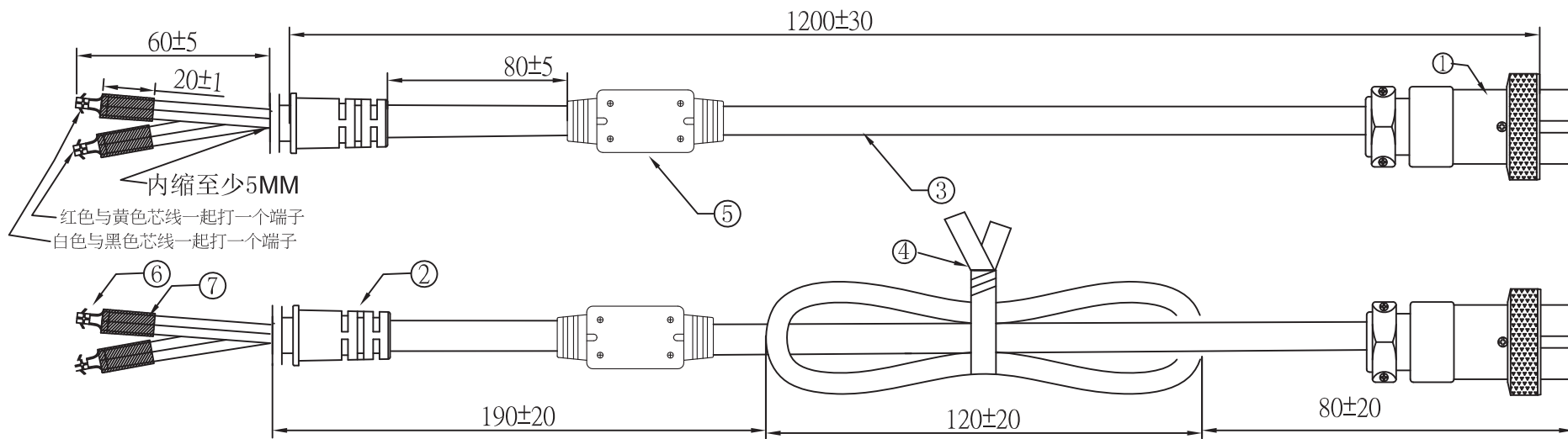
Adapter Tech. 阿達特  
 2021.08.09 2021.08.09  
 Steven Liao Satoshi

NO.	SPECIFICATION	Q' TY	REMARK
1	VCTF 0.75/3C BLACK PSE	1PC	
2	YP-15G TER:98675BS-1	2PCS	
3	TP-15G INNER BODY	1PC	
4	YP-15G PVC PLASTIC:50P BLACK	23g/PC	
5	YC-12 PVC PLASTIC:50P BLACK	18g/PC	
6	YC-12 TER:97740PS-0	3PCS	
7	YC-12 INNER BODY	1PC	
8	"Y"TER:96552BS-2	1PC	
9	MINI TIE:L=130mm	1PC	
10	LOCK BAG:250*110*0.04mm	1PC	
11	SLEEVE WHITE	1PC	

CORD MARKING:

《PS》E JET TAKAHAMA VCTF 3G 0.75mm<sup>2</sup> 20XX -F-

Tolerance >0±0.30 >1.0±0.50 >10.0±1.0 >20.0±2.0 Angle: ±1°	Approved		Date	YUNG LI CO.,LTD				
	Checked		Date					
	Drawn	黃方	Date	15.12.24	Customer	阿達特		
	Cat. No.	YP-15G/YC-12			P/N.	R427A218011		
Drawing No.	CY-P0335		Rev.	B	Material	P.V.C	Unit	mm
					HEFT(g)		⊕	≡



P1,P2	P3,P4
红黄	黑白

### 注意:此圖面所需材料符合"ROHS"標準

- ① 客户提供：4PIN 麥克風母座(MISUMI: PLT-164-P-R) (阿達特料号：36E02-H243)
- ② SR-684號模,用料PVC60P黑色,吊重:1米/20磅/60秒
- ③ UL 2095 16AWG(0.16\*65)\*4C(红,黄,白,黑)过粉线 BK亮 OD:6.5裁線長度:1280+10/-0
- ④ PE无鐵芯紮帶14CM黑色
- ⑤ 铁芯规格:16\*28.5\*8,外模T-A367号模,用料PVC 60P 黑色
- ⑥ 3.2机板端子\*2Pcs (进文:P3200-T)
- ⑦ 热缩套管(BK): $\phi 3*20*2$ Pcs
- ⑧ 單位:MM

Adapter Tech.  
2021.08.09  
Steven Liao

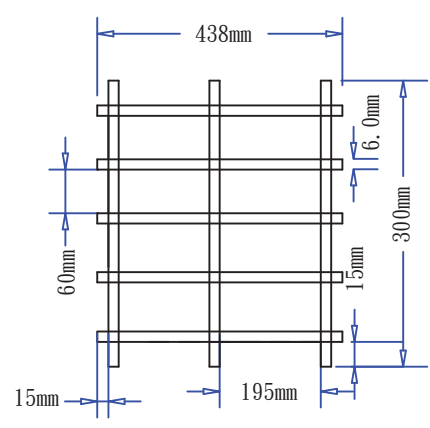
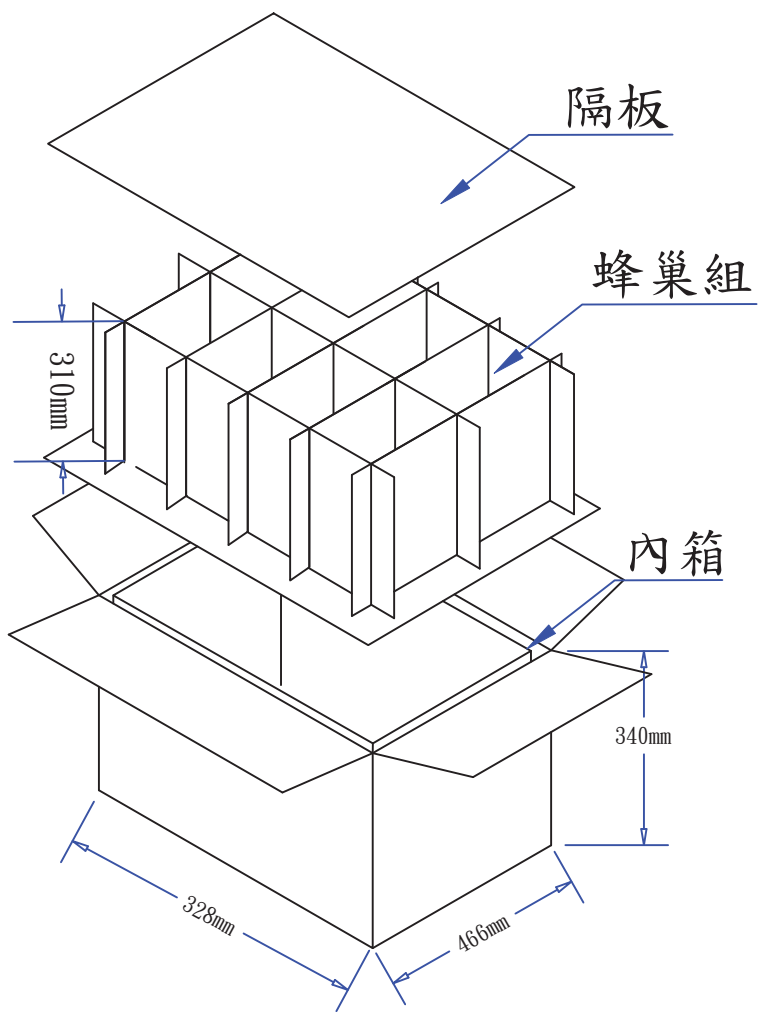
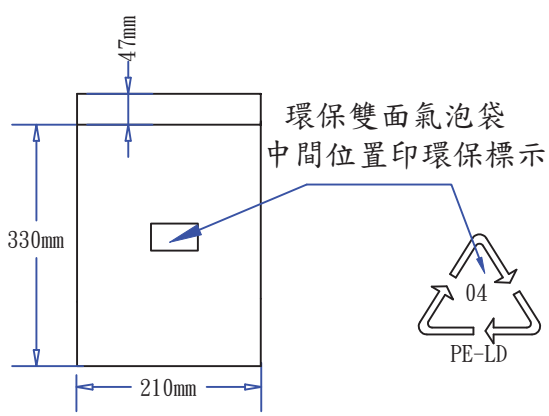
阿達特  
2021.08.09  
Satoshi

1.0mm以下	±0.1mm	15.0mm以下	±0.60mm
2.0mm以下	±0.15mm	20.0mm以下	±0.80mm
3.0mm以下	±0.20mm	30.0mm以下	±1.0mm
10.0mm以下	±0.50mm	30.0mm以上	±1.2mm

料號	X44210X120104		
客戶	阿達特	制圖	王炜鑫
頁數	01	審核	
		批准	
泰岳電子有限公司			
圖號	ADT-6094	日期	2019/10/08

01	新出	2019/10/08
版次	變更內容	日期

REVISIONS				
SHOW	REV	DESCRIPTION	DATE	APPROVED
△	A	初版制作	21/01/27	SUN



**PIS300W0008 包裝(FOR ATS300T-P+AC Cord)(K=K)-環保雙面氣泡袋-內箱-邊分-8**

- [9550046801](#) 1. 隔板:438(L)\*300(W)\*6mm K=K 2/8
- 2. 數量:2\*4\*1=8PCS
- [9520073701](#) 3. 內箱:452(L)\*314(W)\*322(H)mm(無上下蓋) K=K 1/8
- [9520073801](#) 4. 外箱:466(L)\*328(W)\*340(H)mm K=K 1/8
- [9560045401](#) 5. 3刀卡:438(L)\*310(W)\*6mm(邊分) K=K 5/8
- [9560045501](#) 6. 5刀卡:300(L)\*310(W)\*6mm(邊分) K=K 3/8
- [9540011301](#) 7. 環保雙面氣泡袋:330(L)\*210(W)\*47mm 無色透明, 中間位置須加印環保標示. 1/1
- 8. 將成品放入氣泡袋中,LABEL 朝向環保標示,SR 部份朝上,AC 線裝入蜂巢位於DC 線側, 所有包裝需統一.
- 9. 外箱標示為外徑尺寸, 以上材料需符合RoHS標準.

阿達特科技股份有限公司  
Adapter Technology Co., Ltd.

DRAWING NO. <b>PIS300W0008</b>			APPROVAL 1 BY		
UNIT	MODEL NO. ATS300T-P/A+AC線	APPROVAL 2 BY			
mm	FILE NO. ADT-0722	CHECKED BY(ENGINEER)		Sun	2021/01/27
SCALE	REV. A	SHEET 1/1	DRAWN BY	Moon	2021/01/27
Apply for sales		Apply for engineer		Use the sales	
Adapter Tech. 2021.01.28 Steven Liao		阿達特 2021.01.28 Satoshi		Adapter Tech. 2021.08.09 Steven Liao	
				阿達特 2021.08.09 Satoshi	